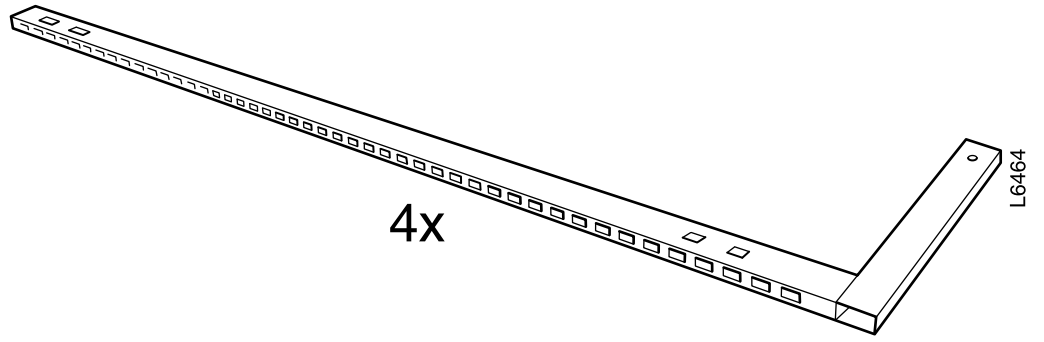


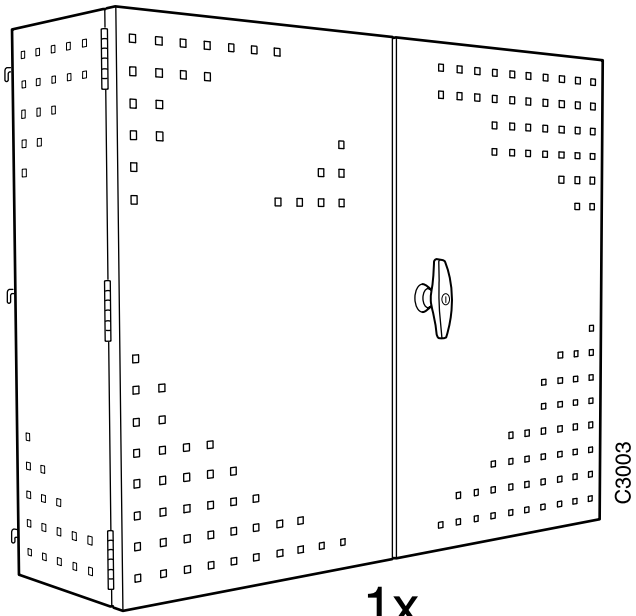
3x

S2000



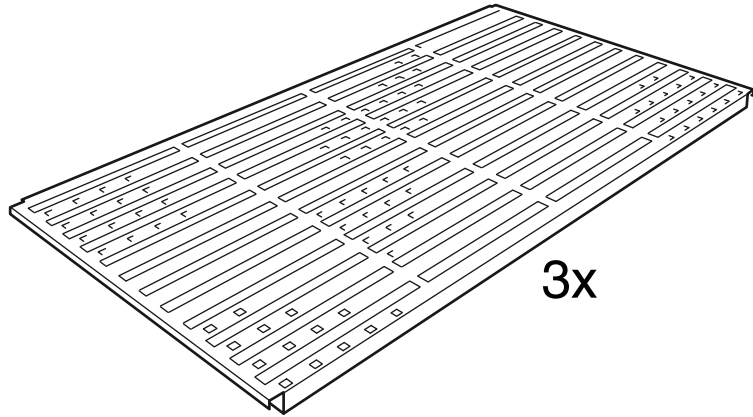
4x

L6464



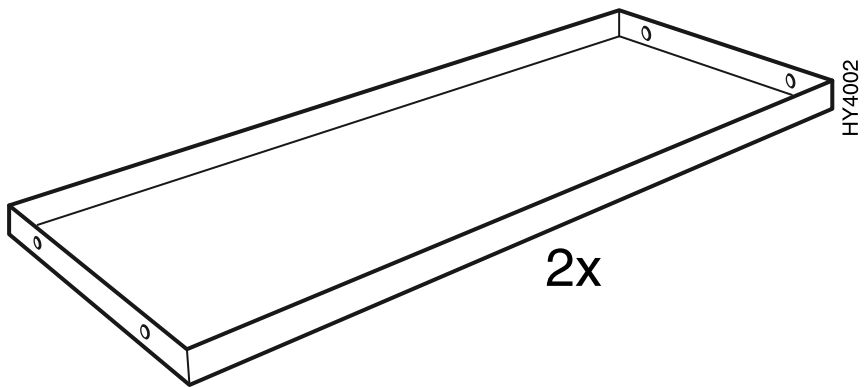
1x

C3003



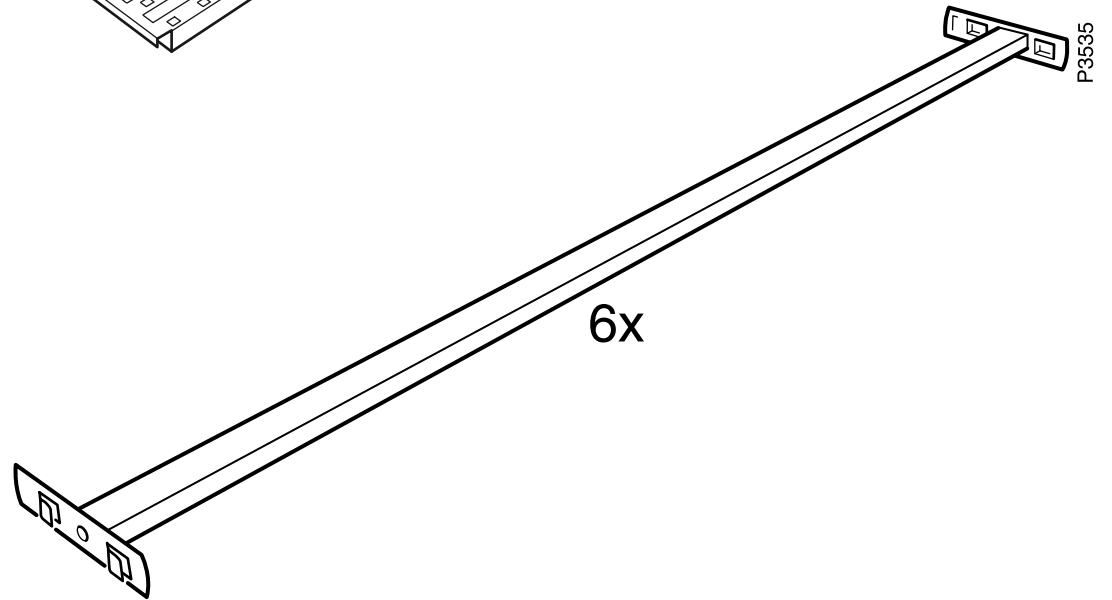
3x

K2255



2x

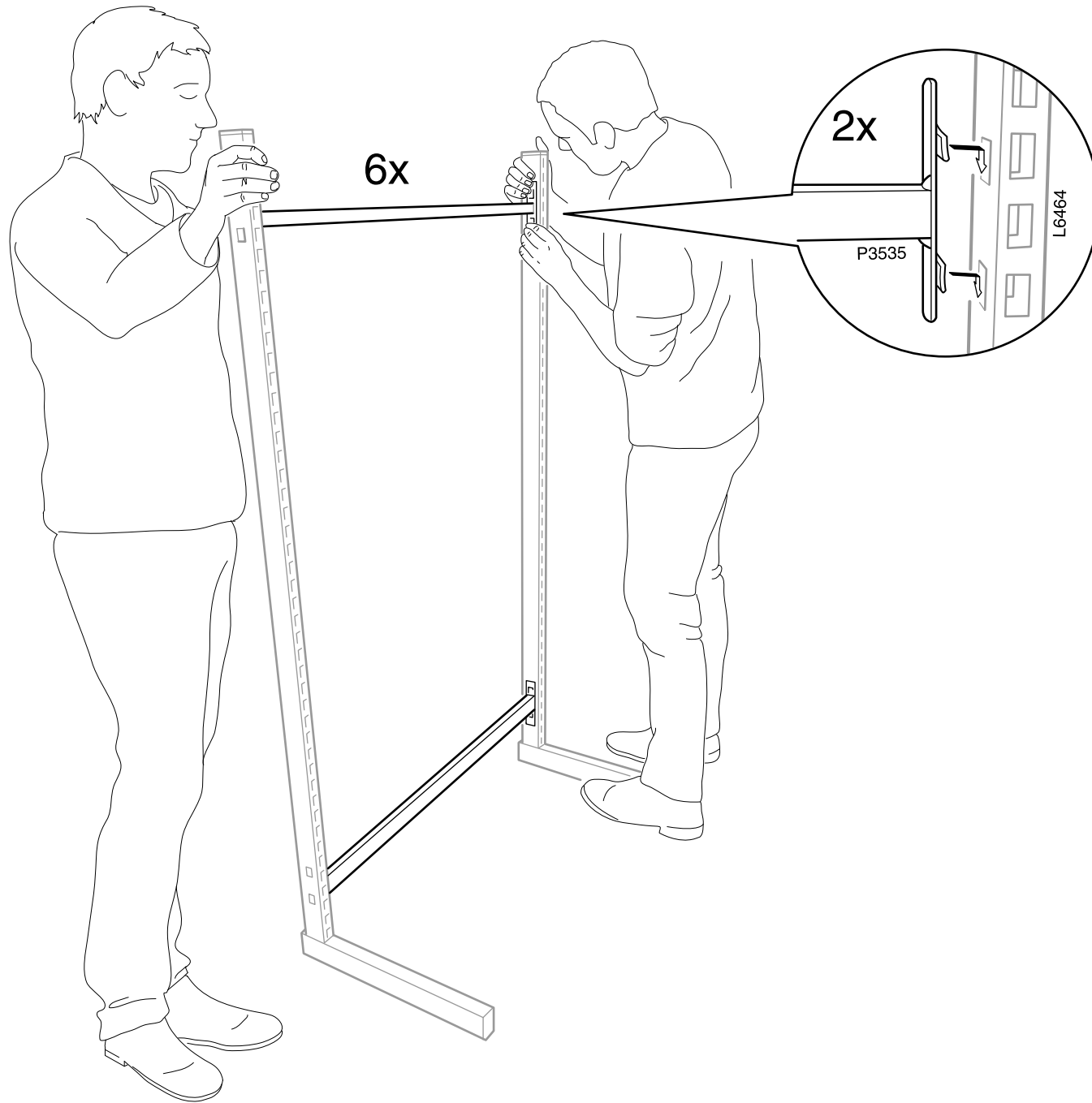
HY4002

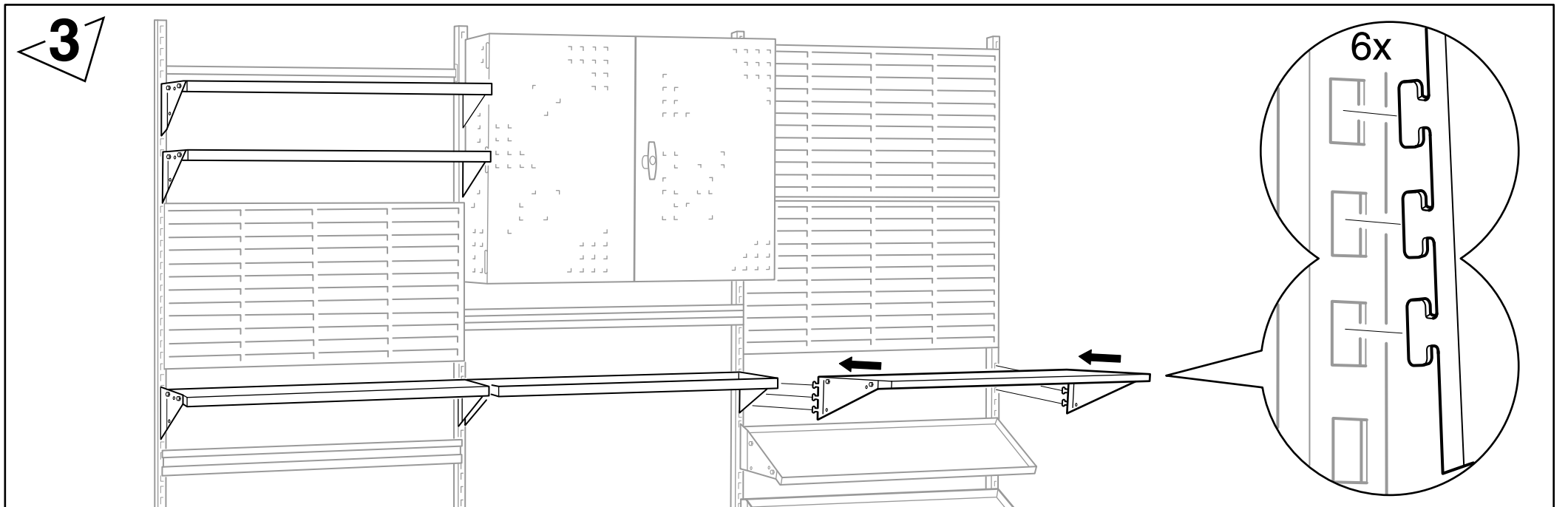
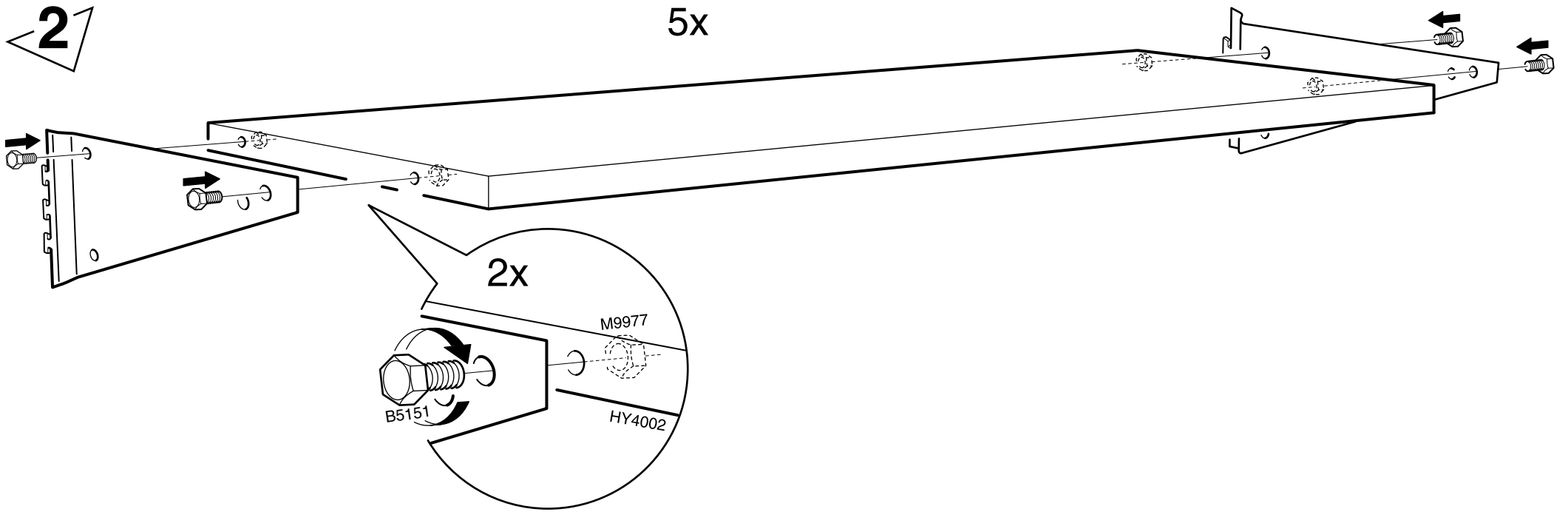


6x

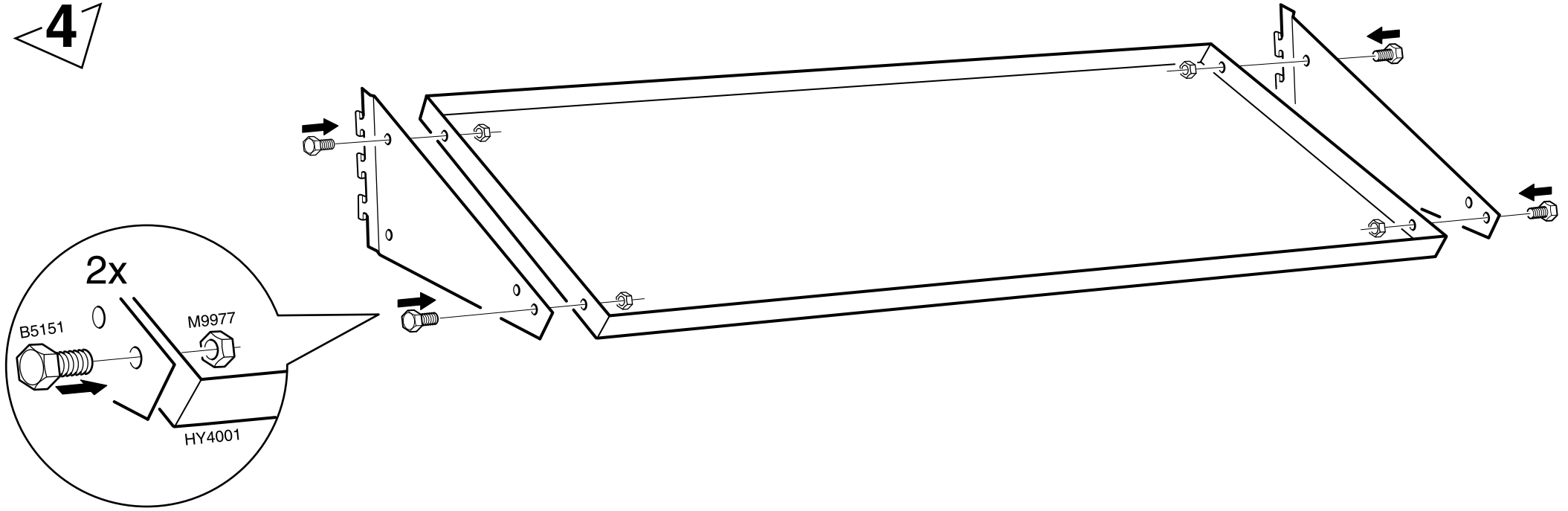
P3535

1

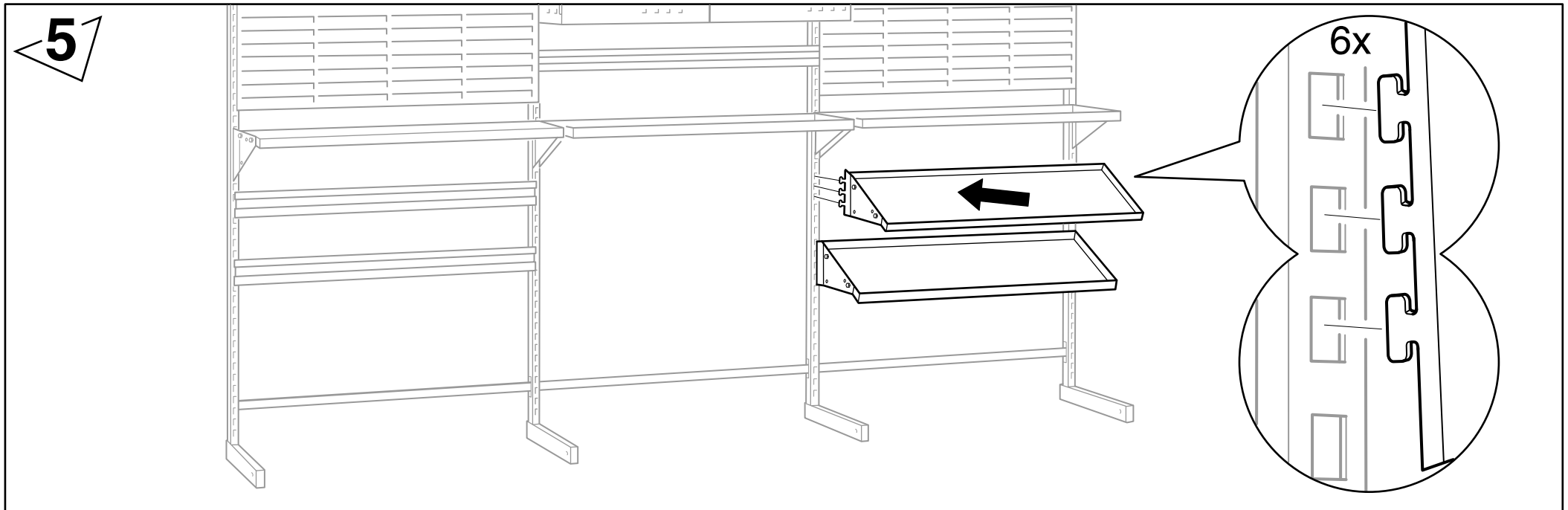




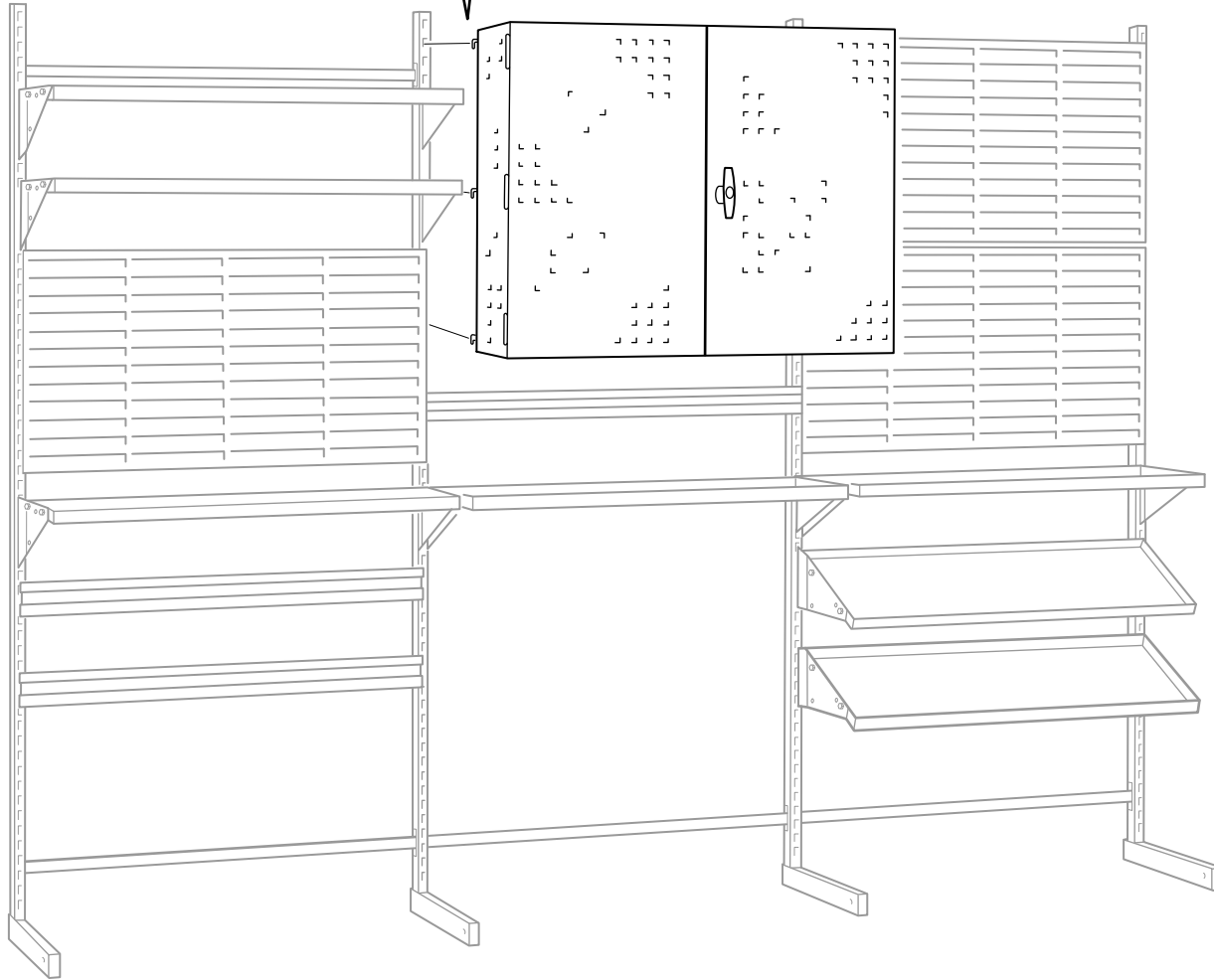
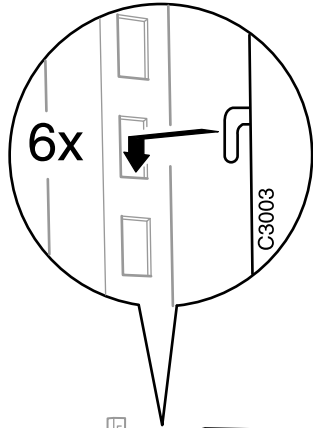
4

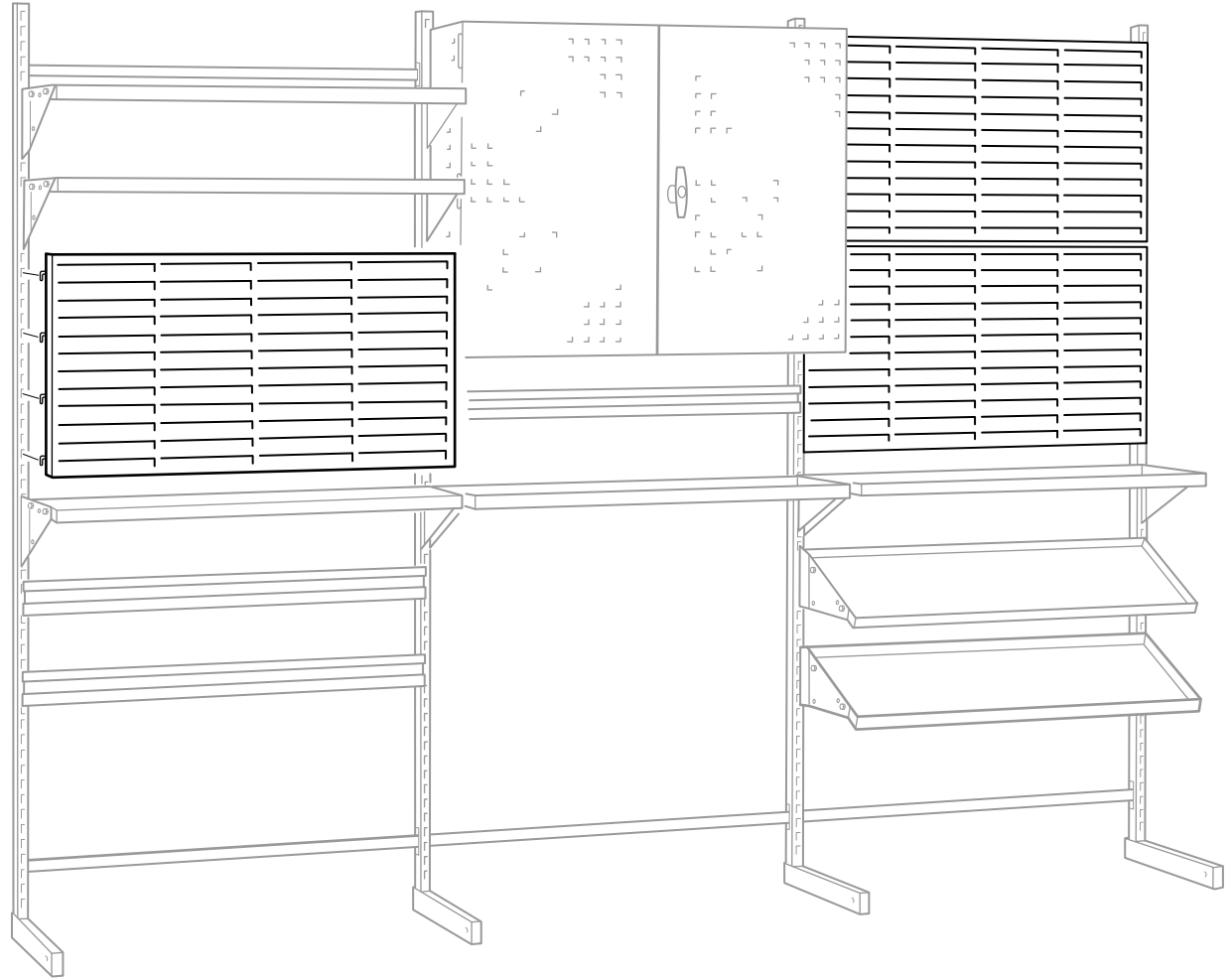
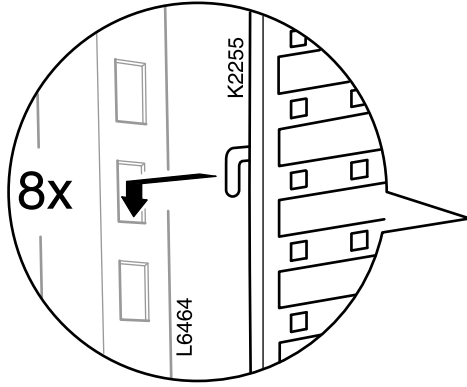


5



6





8

