



## OPERATING INSTRUCTIONS FOR:



**Wood's Airmaster WOZ100**



**Wood's Airmaster WOZ3000  
Wood's Airmaster WOZ6000**

|           |                               |           |                             |
|-----------|-------------------------------|-----------|-----------------------------|
| <b>GB</b> | <i>Operating Instructions</i> | <b>DE</b> | <i>Bedienungsanleitung</i>  |
| <b>SE</b> | <i>Bruksanvisning</i>         | <b>FR</b> | <i>Guide d'instructions</i> |
| <b>NO</b> | <i>Bruksanvisning</i>         | <b>FI</b> | <i>Käyttöohjeet</i>         |
| <b>DK</b> | <i>Betjeningsvejledning</i>   | <b>IS</b> | <i>Notendahandbók</i>       |

---

---

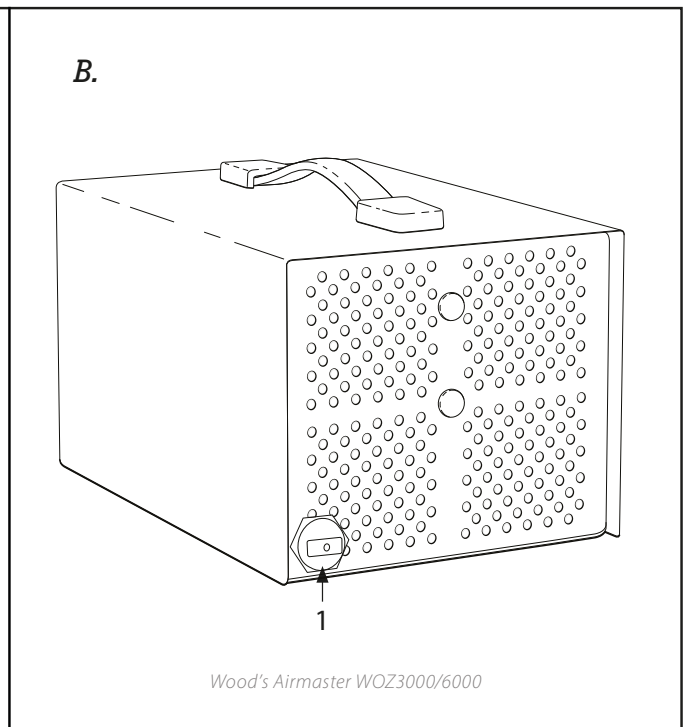
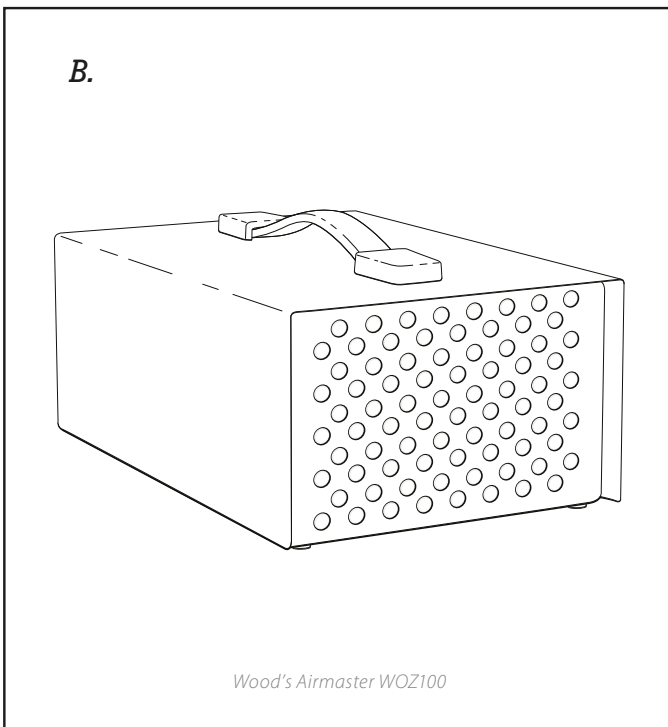
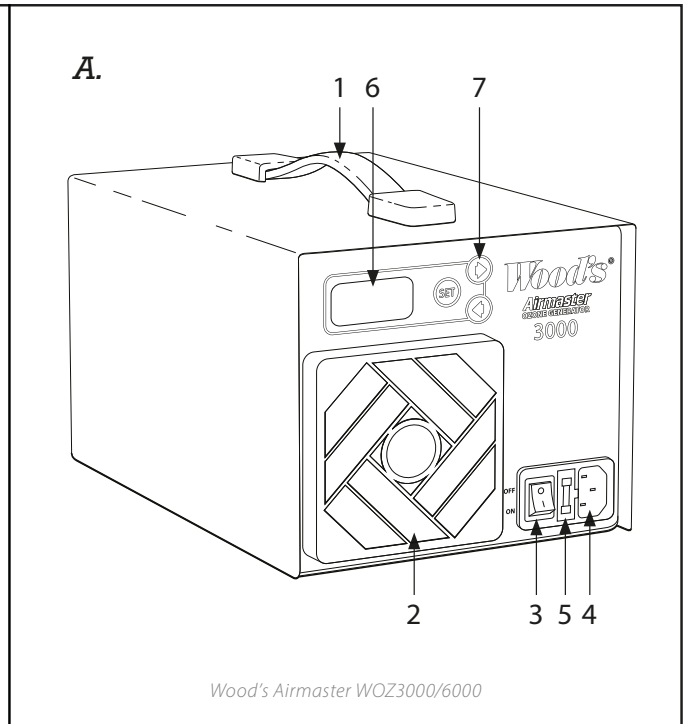
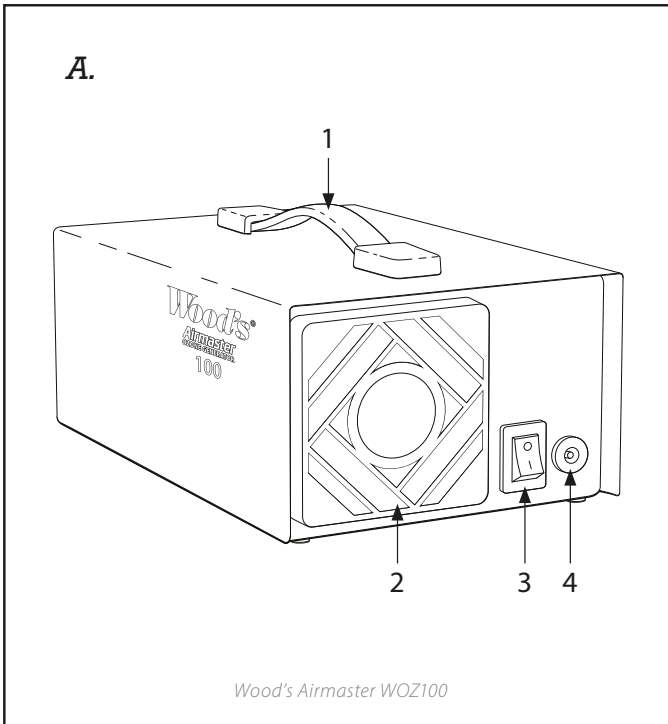
**CONTENTS:**

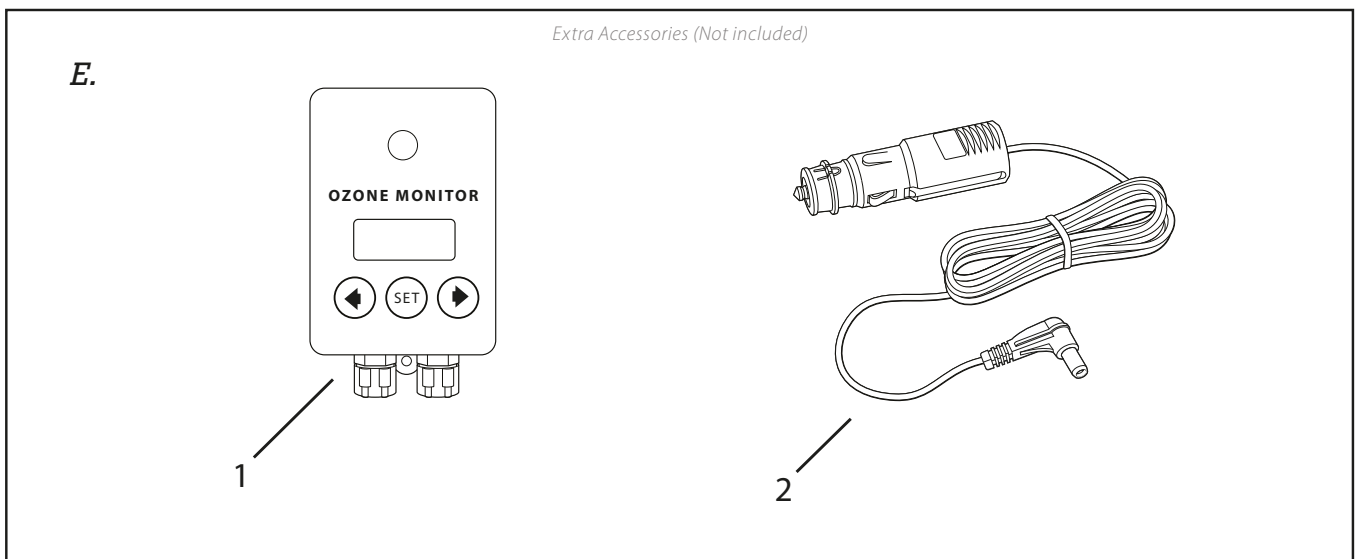
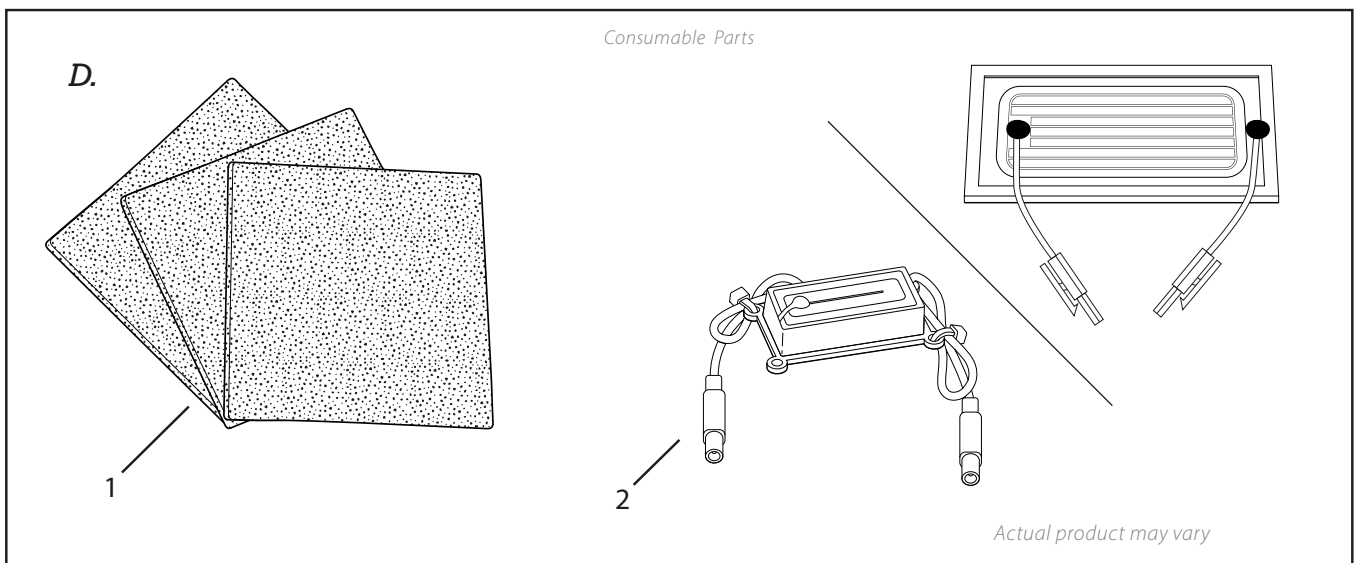
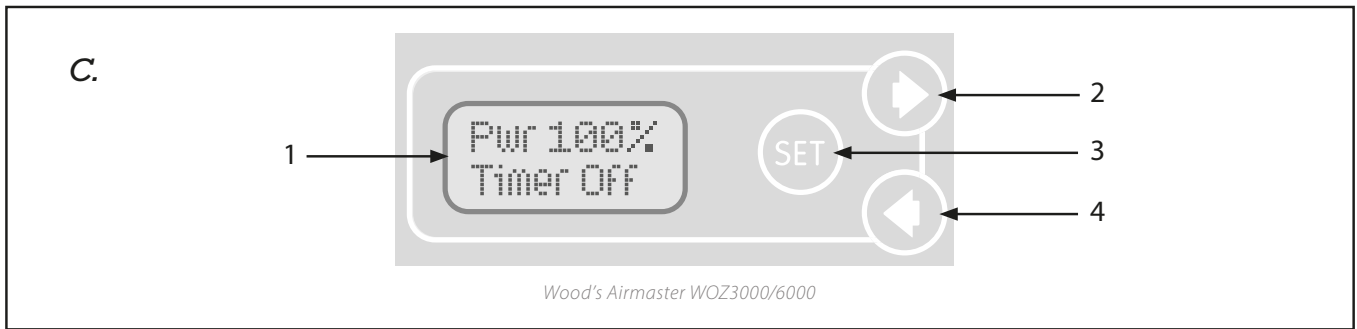
**PAGE NO.**

TABLE OF CONTENTS

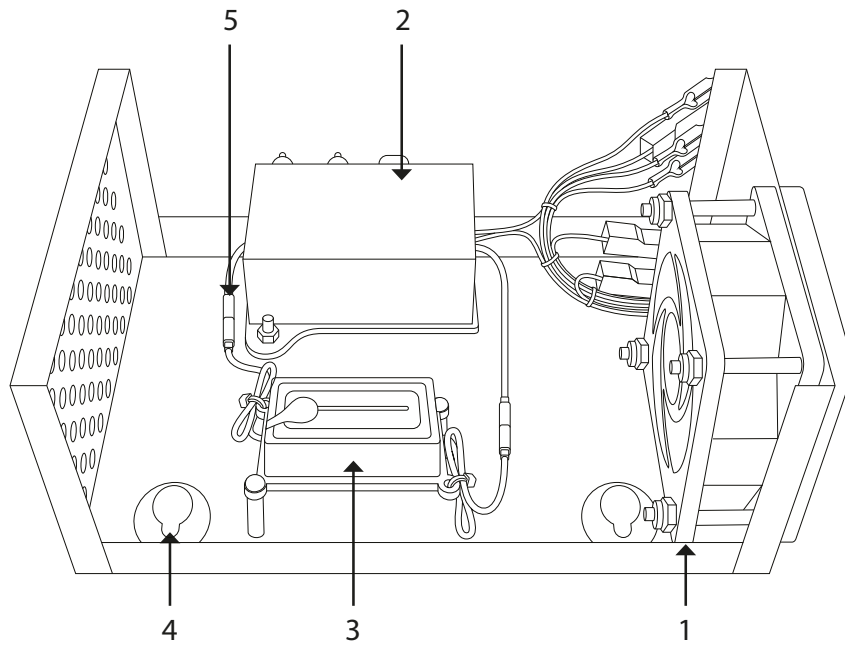
OPERATING INSTRUCTIONS

|                  |       |       |
|------------------|-------|-------|
| <i>English</i>   | ..... | 4-14  |
| <i>Swedish</i>   | ..... | 15-23 |
| <i>Norwegian</i> | ..... | 24-30 |
| <i>Danish</i>    | ..... | 31-38 |
| <i>German</i>    | ..... | 39-46 |
| <i>French</i>    | ..... | 47-54 |
| <i>Finnish</i>   | ..... | 55-62 |
| <i>Icelandic</i> | ..... | 63-70 |



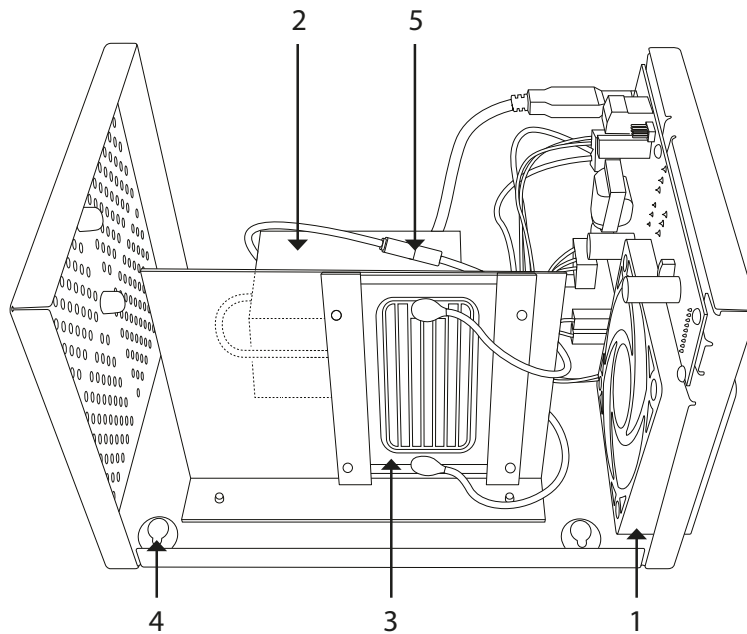


**F.**



Wood's Airmaster WOZ100

**F.**



Wood's Airmaster WOZ3000/6000

## PRODUCT DESCRIPTION

### *Product description*

#### A.

1. Handle
2. Filter holder
3. ON/OFF button
4. Network connection
5. Fuse holder
6. Digital display
7. Adjustment buttons

#### B.

1. USB port

#### C.

##### Digital control

1. Digital display
2. Forward (increase)
3. Set (menu)
4. Back (reduce)

#### D.

##### Wear parts

1. Prefilter
2. Ceramic plate

#### E.

##### Additional accessories (not included)

1. Ozone meter (not WOZ100)
2. Cigarette lighter cable (*WOZ100 only*)

#### F.

1. Fan
2. High-voltage module
3. Ceramic plate
4. Hole for hanging up (keyhole)
5. Quick coupling

## THANK YOU FOR CHOOSING THE WOOD'S AIRMASTER – AN EFFICIENT, SWEDISH QUALITY OZONE GENERATOR

The Wood's Airmaster is an odour control device made in Sweden, with stainless steel parts that are able to withstand harsh operating conditions year after year. This ozone device rapidly and efficiently eliminates bacteria, viruses and odours from damp, mould, refuse, waste, smoke and pets.

The Wood's Airmaster **WOZ100** is ideal for eliminating odours in the home, office, car, boat, caravan and hygiene areas. Anywhere you'd like to restore a fresh, clean smell.

The ozone also penetrates into textiles and sits on the surface of fittings and wallpapers.

The Wood's Airmaster **WOZ3000/6000** is ideal for extreme decontamination following fire damage and water damage.

### WOOD'S FOR CLEAN, HEALTHY INDOOR AIR

Wood's has been characterised by top quality, reliability, high capacity and minimal energy consumption for more than 60 years. Today, Wood's is distributed to more than 19 countries from the company's head office in Alingsås.

### MEMBER OF THE EUROPEAN OZONE TRADE ASSOCIATION (EUOTA) AND CO-OWNER OF THE EUOTA OZONE DOSSIER FOR ACTIVE BIOCIDAL PRODUCTS.

This futureproofs the Wood's Airmaster, preparing it for future legislation and biocidal products regulations.



## HOW DOES AN OZONE GENERATOR WORK?

Ozon is a special kind of oxygen known as active oxygen, and it's formed by passing electrical energy into an ozone generator. The ozone works by oxidising organic substances, thereby effectively eliminating foreign odours, bacteria and viruses. In the majority of cases, the only end products are carbon dioxide and water.

The concentration of ozone in outdoor air varies from 0.001 to 0.040 parts per million (ppm). The National Board of Occupational Safety and Health has set the threshold value to 0.1 ppm of ozone over 8 hours of exposure when working. The gas is perceived as clean, fresh air (like after a thunderstorm) at concentrations of around 0.015-0.020 ppm. The gas starts to take on a pungent odour at 0.050 ppm, and at 0.1 ppm it may cause irritation of the eyes and throat.

### IMPORTANT!



Locate and eliminate whatever is causing the odour problem before running the ozone control device, otherwise the odour will return.

**Ozone is harmful when inhaled, so ozone devices must be used with care.**

#### **Wood's Airmaster WOZ100/500**

Not to be used for any length of time in areas where humans or animals are present. Short exposure (less than 5 minutes) is harmless.

#### **Wood's Airmaster WOZ3000/6000**

The area must not be entered while treatment is in progress.

Read the instructions carefully before use.



## SAFETY WARNINGS



See these instructions for safety information.



Read the technical manual



Read the instructions.

### SAFETY INFORMATION

Read carefully through the instructions supplied before installing and using the device. The manufacturer accepts no liability for incorrect installation resulting in injury and damage to property. Always keep the instructions together with the device for future reference.

### Safety for children and vulnerable people

#### WARNING

Risk of injury or permanent disability.

Do not allow children to play with the device.

Keep all packaging out of the reach of children.

Children must not clean or maintain the device.

#### General safety

Ozone devices must be used with caution and not for any length of time in environments occupied by people, such as homes or offices. Brief exposure, such as in refuse

storage rooms or similar, is non-hazardous (WOZ100). Do not rinse the equipment with water, and do not position it anywhere where it will come into contact with water.

Observe the recommended room areas when using the device on premises occupied by people.

The power supply to the equipment must be switched off for all servicing and repair work. All use of the equipment must be in accordance with this manual. No liability is accepted for any other use.

## SAFETY AND SECURITY REGULATIONS

### Installation

#### WARNING

Remove all packaging and check that the product is not damaged. Do not use/install the product if it is damaged.

### Connection to the power supply

#### WARNING

Risk of fire and electric shocks if used incorrectly.

The device must be connected to an earthed socket.

Make sure that the electrical information on the rating plate matches the power supply. If not, contact an electrician.

Always use a correctly installed, shockproof socket.

Never use a damaged branch socket or extension cable. Make sure that the electrical components are not damaged (e.g. plug, mains cable). Contact the authorised service centre or an electrician if electrical components need to be replaced.

Only connect the plug to the power socket when installation is complete.

Make sure that accessing the plug is easy after installation. Do not pull on the cable when disconnecting the device. Always hold onto the plug when pulling it out.

### Disposal

#### WARNING

Disconnect the device from the mains.

Please use the return and collection systems to recycle your device. Get in touch with your municipality for information on how to dispose of the device correctly.



## USING AND MAINTAINING YOUR OZONE DEVICE

### ***IMPORTANT!***

Locate and eliminate whatever is causing the odour problem before running the ozone control device, otherwise the odour will return.

Ozone is harmful when inhaled, so the ozone device must be used with care.

Do not use the ozone device when there are people present in the room.

For the Wood's Airmaster WOZ100/5, brief exposure (less than 5 minutes) is non-hazardous.

For the Wood's Airmaster WOZ3000/6000, the area must not be entered at all.

### ***Treatment with the Wood's Airmaster***

#### **1. Preparation:**

Clean the room thoroughly, vacuum and wipe down all surfaces and/or repair/eliminate the problem causing the odour.

#### **2. Make sure that the area is safe to treat:**

Remove pets and plants. Remove valuable high-tech equipment such as laptops and valuable oil paintings. Make sure that there are no people in the room.

#### **3. Ozone treatment:**

Position the ozone device in the middle of the room (ideally on a slightly raised surface such as a table). Connect the mains cable supplied to the mains socket (A4). The ozone device can now be started by pressing the on-off button (A3), and you set the timer (C) to the preferred time (models with a timer). It can take up to about 5 minutes to achieve the full effect.

#### **4. Duration of treatment:**

2 to 72 hours, depending on the intensity of the odour. The average treatment time is 24 hours. Ideally, start off with 4-8 hours and repeat as necessary.

#### **5. After the ozone treatment:**

Switch off the ozone device and open the windows. There will be ozone in the air after the treatment, it smells like chlorine. Air the rest of the room to remove the remaining ozone. Check the room. If there are still unwanted odours in there, repeat the procedure. All affected rooms must be treated separately.

### ***Permanent installation***

The ozone device can be wall-mounted by means of a "keyhole solution" (F4) on the underside of the ozone device.

Connect the mains cable supplied to the mains socket (A4). The ozone device can now be started by pressing the on-off button (A3).

### ***Connecting the ozone meter (E1)***

The ozone meter accessory (E1) is connected to the USB port (B1) on the back.

## USING AND MAINTAINING YOUR OZONE DEVICE

### Use

Position the ozone device in a dry place that is ventilated well, ideally high up and approx. 1.5 m above the floor. It is important to ensure that nothing prevents the air entering the fan.

Connect the mains cable supplied to the mains socket (A4).

The ozone device can now be started by pressing the on-off button (A3). The ozone device starts in operating mode, with full power (100%).

It can take up to about 5 minutes to achieve the full effect.

### Starting the machine

1. Start the ozone device.  
Press the switch (A3) to ON
2. Switch off the ozone device  
Press the power switch (A3) to OFF

#### Digital control with timer

(Applicable to Wood's Airmaster WOZ3000/6000)

The ozone quantity/output can be varied between 0 and 100%.

Timer modes: daily, interval and shut-off timer.

See "**Digital control**" instructions on the next page for further information.

### Maintenance

#### NOTE!

Always unplug the device before carrying out servicing/maintenance.

#### Replacing the prefilter

The prefilter has to be replaced every two to four months, depending on the ambient environment.

1. Undo the filter holder (A2) by hand.

2. Replace the filter with a new one.
3. Put back the filter holder (A2).

#### Cleaning/replacing the ceramic plate

Ozone is formed when a high-voltage power supply is passed into the ozone pipe. The ceramic plate should be cleaned regularly using methylated spirit or similar. Wipe down all surfaces using a dry cloth. Make sure that all components are fully dry before restarting the machine. The ceramic plate must be replaced if the ozone concentration declines or ceases entirely.

#### A. If your ozone device has visible chassis screws on the long sides

1. Undo all the screws on the long sides of the chassis.
2. Lift the cover off the machine.
3. Go to point C.

#### B. If your ozone device has no visible chassis screws:

1. Undo the two screws that hold the handle in place.
2. Turn the machine upside down.
3. Undo the four screws that hold the machine's feet in place.
4. Remove the chassis cover by pulling/pushing the cover forwards.
5. Go to point C.

#### C. Replace the ceramic plate:

1. Undo the quick couplings (F5)
  - 2a. WOZ100 Undo the two screws holding the ceramic plate in position (F3)
  - 2b. WOZ3000/6000  
Move the ceramic plate (F3) out of its holder.
3. Assemble in reverse order.

#### NOTE:

The ceramic plate and prefilter are wear parts and are not covered by the warranty.

All servicing other than that described here must be performed by the manufacturer or an authorised partner.

### Servicing

You must contact your local dealer if your ozone device requires maintenance. Receipts must be presented for all warranty claims.

### Storage instructions

Store your ozone device at room temperature between +1 °C and +35 °C.

*It is important to replace the prefilter at regular intervals and to replace the ceramic plate regularly. Failing to do this may impair the capacity of the ozone device and possibly harm the device.*

# USING THE OZONE DEVICE

## Digital control

(Applicable to Wood's Airmaster WOZ3000/6000)

|   |  |
|---|--|
|                  | <b>Normal operating mode</b><br>Use the <b>forward</b> (C2) and <b>back</b> (C4) buttons to set ozone production to the preferred level, 1-100%. The timer is switched off.  |
|                  | <b>Menu</b><br>Press <b>set</b> (C3) to access the menu. Then use the <b>forward</b> button (C2) to scroll until you arrive at the function you want to change. <i>(You can always leave the menu by holding down the set button.)</i>   |
|                  | <b>Timer</b><br>Press <b>set</b> (C3), the set timer mode is displayed. Press <b>set</b> (C3), again, the text starts to flash. Use the <b>forward</b> button (C2) to scroll until you find the preferred timer function. Press <b>set</b> (C3) to select a function.  |
|                  | <b>Timer off</b> (factory default)   |
|                 | <b>Shut-off timer</b><br>The Wood's Airmaster operates for the preferred time and then shuts off.<br>Press <b>forward</b> (C2), "Set Timer" appears in the display. Press <b>set</b> (C3), the text flashes, set the preferred time by pressing <b>forward</b> (C2) / <b>back</b> (C4) (e.g. 15 min 00:15). Press <b>set</b> (C3) to confirm the time (the timer stops flashing). Hold down <b>set</b> (C3) start the timer and leave the menu.<br>"TimedOut" is displayed when the timer has reached the end. Hold down <b>forward</b> (C2) and <b>back</b> (C4) at the same time to restart the timer. |
| Set the time in the following timer modes in the same way as described in <b>Shut-off timer</b> . |  |
|                | <b>Interval timer</b><br>The Wood's Airmaster switches between operating mode and shutdown mode at set times.<br><br>First, set the operating time: "Step on". Press <b>forward</b> (C4). Then set the shut-down time: "Step off".   |
|                | <b>Daily timer</b><br>The Wood's Airmaster operates according to set times of day. <b>NOTE: Set the clock first! (see Clock)</b><br>Set the "on" time 1: "Step on 1". Press <b>forward</b> (C2), set "off" time 1: "Step off 1".<br>Set "on" time 2: "Step on 2". Press <b>forward</b> (C2), set "off" time 2: "Step off 2".<br>Set "on" time 3: "Step on 3". Press <b>forward</b> (C2), set "off" time 3: "Step off 3".<br><br>If a mode (e.g. 3) is left blank, i.e. 00:00, that mode is disabled.   |
|                | <b>Clock</b><br>This is where you set the clock used by the daily timer.<br>Press <b>set</b> (C3): the digits flash. Set the required time using <b>forward</b> (C2) and <b>back</b> (C4). Press <b>set</b> to confirm your setting. (24-hour backup in the event of a power outage)   |
|                | <b>Backlight</b><br>The display backlight can be switched on or off.   |
|                | <b>Connection for external devices (USB)</b><br>The input for external devices (e.g. ozone meter) can be enabled or disabled.<br>Operating mode can be selected: <b>Ozone Control</b> – A connected ozone meter can control the ozone generator to maintain a constant ozone concentration. <b>Ozone Alarm</b> – If a connected ozone meter discovers a leak, the machine shuts down and alerts the operator.  |
|                | <b>Factory default</b><br>Restores the device to the factory defaults. <b>NOTE: All settings will be deleted.</b>  |
|                | <b>Key lock</b><br>The buttons are locked by holding down <b>set</b> (C3) and <b>forward</b> (C2) at the same time until "KEYS LOCKED" appears in the display. The buttons are unlocked in the same way.   |

## Troubleshooting

| PROBLEM   | CAUSE   | REMEDY  |
|---|---|---|
| The device does not switch on and the power switch does not light up. | Power supply problem.   | Connect the device to a functioning power socket and switch it on.                            |
|   | The fuse is broken (WOZ3000/6000).                              | Replace the fuse.   |
|   | The power adapter is broken (WOZ100).                           | Try a different power adapter (making sure that the adapter is to the correct specification). |
| The device operates, but its performance is poor                      | The ceramic plate is dirty.                                     | Clean the ceramic plate:  |
| The device is operating but not producing ozone.                      | The ceramic plate has reached the end of its life or is broken. | Replace the ceramic plate:  |
| Loud fan noise.   | The prefilter is dirty/clogged.                                 | Replace the filter.   |
| The machine is behaving strangely.                                    | The software has hanged.  | Perform a factory reset..   |
| The machine settings (e.g. timer) are incorrect                       | The machine has been set accidentally.                          |   |

Contact your local dealer after you have worked through the above troubleshooting list or if your project requires a service.

## Warranties

2- year factory warranty covering workmanship. Please note, the warranty is valid only on presentation of a receipt. The warranty is valid only if the product is used in accordance with the instructions and safety warnings in this manual. The warranty does not cover damage caused by incorrect use of the product.



### NOTE:

Register your product at [www.warranty-woods.com](http://www.warranty-woods.com) to benefit from the special Wood's offers available for your product. Take a look at [www.woods.se](http://www.woods.se) for more information.

## CUSTOMER SERVICE

Always use original parts. Make sure you have the following to hand when you contact our customer service team: Model designation, receipt and serial number.

Note that all information, safety instructions and technical data in this manual may be amended.



| TECHNICAL DATA     | Airmaster WOZ100                                  | Airmaster WOZ3000          | Airmaster WOZ6000          |
|--------------------|---|----------------------------|----------------------------|
| Ozon production    | 100–500 mg/hour                                   | 0–500 mg/hour              | 0–500 mg/hour              |
| Fan capacity       | 40 m <sup>3</sup> /hour                           | 116 m <sup>3</sup> /hour   | 116 m <sup>3</sup> /hour   |
| Technology         | Ceramic plate                                     | Ceramic plate              | Ceramic plate              |
| Timer              | -   | Yes                        | Yes                        |
| USB port           | -   | Yes                        | Yes                        |
| Energy consumption | 8 W/12 V DC<br>(100-240 V mains adapter supplied) | 34 W/100-230 V             | 38 W/100-230 V             |
| Temperature range  | +1 °C – +35°C                                     | +1 °C – +35°C              | +1 °C – +35°C              |
| Dimensions (LxWxH) | 196x113x85 mm                                     | 270x180x160 mm             | 270x180x160 mm             |
| Fuse parameter     | -   | 630mA 250v                 | 630mA 250v                 |
| Weight             | 0.79 kg   | 2.2 kg                     | 2.3 kg                     |
| Finish             | Stainless steel                                   | Stainless steel            | Stainless steel            |
| Extra accessories  | Cigarette lighter cable                           | Ozone meters               | Ozone meters               |
| Wear parts         | Prefilter<br>Ceramic plate                        | Prefilter<br>Ceramic plate | Prefilter<br>Ceramic plate |

\*Technical modifications and improvements may be made. All values are approximate and may vary depending on external circumstances such as temperature and humidity.



\*This label means that this product must not be disposed of with household waste anywhere in the EU. Please recycle this product responsibly to promote sustainable reuse of resources and prevent damage to the environment or human health as a consequence of uncontrolled waste disposal. To recycle your device, please use the return and collection systems contact the dealer where you purchased your product. They can submit this product for environmentally safe recycling.

# PRODUKTBESKRIVNING

## Produktbeskrivning

### A.

1. Handtag
2. Filterhållare
3. PÅ/AV-knapp
4. Nätanslutning
5. Säkringshållare
6. Digitaldisplay
7. Inställningsknappar

### B.

1. USB-port

### C.

#### Digital styrning

1. Digitaldisplay
2. Framåt (öka)
3. Set (meny)
4. Bakåt (minska)

### D.

#### Förslitningsdetaljer

1. Förfilter
2. Keramplatta

### E.

#### Extra tillbehör (Ingår ej)

1. Ozonmätare (Ej WOZ100)
2. Cigarettändarkabel (*Endast WOZ100*)

### F.

1. Fläkt
2. Högsämningsmodul
3. Keramplatta
4. Hål för upphängning (Nyckelhål)
5. Snabbkoppling

## TACK FÖR DITT VAL AV WOOD'S AIRMASTER – EN EFFEKTIV OZONGENERATOR MED SVENSK KVALITET

Wood's Airmaster är ett svensktillverkat luftsaneringsaggregat med rostfria detaljer som tål tuffa driftsförhållanden år efter år. Ozonaggregatet eliminerar snabbt och effektivt bakterier, virus och lukter från t.ex. fukt, mögel, sopor, avlopp, rök och husdjur.

Wood's Airmaster **WOZ100** lämpar sig för lukt borttagning i bostaden, kontor, bilen, båten, husvagnen och i hygienutrymmen. Överallt där du vill återställa en frisk och fräsch miljö.

Ozonet tränger även in i textilier samt ytligt i inredning och tapeter.

Wood's Airmaster **WOZ3000/6000** lämpar sig för extrensanering efter brand- och vattenskador.

## WOOD'S FÖR REN OCH HÄLSOSAM INOMHUSLUFT

I över 60 år har Wood's kännetecknats av bästa kvalitet, pålitlighet, hög kapacitet och lägsta möjliga energiförbrukning. Idag distribueras Wood's i mer än 19 länder från huvudkontoret i Alingsås.

## MEDLEM I EUROPEAN OZONE TRADE ASSOCIATION (EUOTA) OCH DELÄGARE I EUOTAS OZONE-DOSSIER FÖR VERKSAMMA BIOCIDÄMNEN.

Detta gör Wood's Airmaster framtidssäker och förbered för framtida lagstiftning och biocidreglering.



## HUR FUNGERAR EN OZONGENERATOR?

Ozon är en specialform av syre, s.k. aktivt syre, och bildas genom tillförsel av elektrisk energi inne i en ozongenerator. Ozonet verkar genom att oxidera organiska ämnen och tar därmed på ett effektivt sätt bort främmande luktämnen samt bakterier och virus. I de allra flesta fall blir slutprodukterna enbart koldioxid och vatten.

I utomhusluft varierar koncentrationen av ozon från 0.001-0.040 parts per million (ppm). Arbetskyddsstyrelsen har satt gränsvärdet till 0.1 ppm ozon vid 8 timmars exponering i samband med arbete. Vid koncentrationer omkring 0.015-0.020 ppm upplevs gasen som ren frisk luft (som efter ett åskregn). Vid 0.050 ppm börjar gasen bli frän i lukten och vid 0.1 ppm kan man få irritation i ögon och svalg.

### VIKTIGT!



Lokalisera och åtgärda det som orsakar luktproblemet innan luftsanering, annars återkommer lukten.

**Ozon är skadligt att andas in och ozonaggregat ska därför användas med försiktighet.**

#### **Wood's Airmaster WOZ100**

Ska ej användas under längre tid där människor eller djur vistas. Kort exponering (mindre än 5 minuter) är ofarlig.

#### **Wood's Airmaster WOZ3000/6000**

Under behandling ska utrymmet ej beträdas.

Läs bruksanvisningen noggrant innan användning.



## SÄKERHETSVARNINGAR



Se denna bruksanvisning för säkerhetsinformation.



Läs den tekniska manualen



Läs bruksanvisningen.

## SÄKERHETSINFORMATION

Läs igenom de medföljande instruktionerna noggrant före installation och användning av apparaten. Tillverkaren tar inget ansvar för felaktig installation som orsakar personskador och materiella skador. Förvara alltid instruktionerna tillsammans med apparaten för framtida referens.

## Barn och utsatta personers säkerhet

### VARNING

Risk för personskada eller permanent invaliditet. Låt inte barn leka med apparaten. Förvara allt emballage utom räckhåll för barn. Rengöring och underhåll får inte utföras av barn.

### Allmän säkerhet

Ozonaggregat ska användas med försiktighet och ej under längre tid i miljöer där människor vistas till exempel i hem eller på kontor. Kort exponering är ofarlig

exempelvis i soprum eller liknande (WOZ100). Spola inte utrustningen med vatten och placera den inte heller på ett sådant sätt att den kommer i kontakt med vatten.

lakttag rekommenderade rumsarealer vid användning i lokaler där folk vistas. Vid all service och reparation skall spänningen till utrustningen vara bruten. All användning av utrustningen skall ske i enlighet med denna manual. För all annan användning ansvaras ej.

## SÄKERHETSFÖRESKRIFTER

### Installation

#### VARNING

Ta bort allt emballage och kontrollera att produkten inte är skadad. Använd/installera ej produkten om den är skadad.

### Anslutning till elnätet

#### VARNING

Risk för brand och elstötar vid felanvändning. Apparaten måste anslutas till ett jordat uttag. Se till att den elektriska informationen på märkskylten överensstämmer med strömförsörjningen. Om inte, kontakta en elektriker. Använd alltid ett korrekt installerat, stötsäkert uttag. Använd aldrig ett skadat grenuttag eller förlängningskabel.

Se till att de elektriska komponenterna inte är skadade (t.ex. stickkontakt, nätsladd). Kontakta det auktoriserade servicecentret eller en elektriker för att byta ut elektriska komponenter.

Anslut stickkontakten till eluttaget först när installationen är klar. Se till att det är enkelt att komma åt stickkontakten efter installationen. Dra inte i sladden när du ska koppla från apparaten. Håll alltid i stickkontakten när du ska dra ut sladden.

## Bortskaffning

### VARNING

Koppla bort apparaten från elnätet. För att återvinna din enhet, vänligen använd retur- och insamlingssystemen. Kontakta din kommun för information om hur du kasserar apparaten korrekt.



# ANVÄNDNING OCH UNDERHÅLL AV OZONAGGREGATET

## **VIKTIGT!**

Lokalisera och åtgärda det som orsakar luktproblemet innan luktsanering, annars återkommer lukten.

Ozon är skadligt att andas in och ozonaggregatet ska därför användas med försiktighet.

Använd ej ozonaggregatet när personer vistas i utrymmet.

Gällande Wood's Airmaster WOZ100 är kort exponering mindre än 5 minuter ofarligt.

Gällande Wood's Airmaster WOZ3000/6000 får området som behandlas inte beträdas alls.

## **Behandling med Wood's Airmaster**

### **1. Förberedelse:**

Rengör rummet noggrant, dammsug och torka av alla ytor och / eller reparera / ta bort problemet som har orsakat lukt.

### **2. Se till att området är säkert att behandlas:**

Ta bort husdjur och växter. Ta bort värdefull högteknologisk utrustning, t.ex. bärbara datorer och värdefulla oljemålningar.

Se till att inga människor finns i rummet.

### **3. Ozonbehandling:**

Placera ozonaggregatet i mitten av rummet (helst på en lätt upphöjd yta, t.ex. ett bord).

Anslut den medföljande nätsladden i nätanslutningsuttaket (A4).

Ozonaggregatet kan nu startas med på/av-knappen (A3) och ställ in timern (C) på önskad tid (modeller med en

timer).

Det kan dröja upp till ca 5 minuter innan full effekt är uppnådd.

### **4. Behandlingsvaraktighet:**

2-72 timmar, beroende på lukts intensitet. Den genomsnittliga behandlingstiden är 24 timmar. Börja helst med 4-8 timmar och upprepa vid behov.

### **5. Efter ozonbehandlingen:**

Stäng av ozonaggregatet och öppna fönstren. Efter behandlingen kommer det att finnas ozon kvar i luften, luktar som klorin. Vädra ut resterande ozon från utrymmet.

Kontrollera rummet. Om oönskade lukt kvarstår, upprepa proceduren. Alla berörda rum måste behandlas separat.

## **Vid fastinstallation**

Ozonaggregatet kan monteras på vägg genom en "nyckelhållsösnung" (F4) på ozonaggregatets undersida.

Anslut den medföljande nätsladden i nätanslutningsuttaket (A4). Ozonaggregatet kan nu startas med på/av-knappen (A3).

## **Anslutning av ozonmätare (E1)**

Tillbehöret Ozonmätare (E1) ansluts till USB-porten (B1) på baksidan.

# ANVÄNDNING OCH UNDERHÅLL AV OZONAGGREGATET

## Användning

Placera ozonaggregatet på en torr plats med god ventilation, gärna högt upp ca 1,5 m ovanför golvet. Det är viktigt att inget hindrar luftens tillträde till fläkten.

Anslut den medföljande nätsladden i nätanslutningsuttaget (A4).

Ozonaggregatet kan nu startas med på/av knappen (A3). Ozonaggregatet startar i driftläge med full effekt (100%) .

Det kan dröja upp till ca 5 minuter innan full effekt är uppnådd.

## Starta maskinen

1. Starta ozonaggregatet.  
Tryck på strömbrytaren (A3) till ON
2. Stäng av ozonaggregatet  
Tryck på strömbrytaren (A3) till OFF

### Digital styrning med timer

(Gäller Wood's Airmaster WOZ3000/6000)  
Ozonmängden/effekten kan varieras mellan 0-100%.  
Timerlägen: Dygns-, intervall- och avstängningstimer.  
Se vidare instruktioner "Digital styrning" på nästa sida.

## Underhåll

### OBS!

Dra alltid ur nätsladden innan service / underhåll göres.

### Byte av förfilter

Förfiltret skall bytas varannan till var fjärde månad beroende på omgivande miljö.

1. Lossa filterhållaren (A2) med handkraft.

2. Byt ut filtret mot ett nytt.
3. Sätt tillbaka filterhållaren (A2).

### Rengöring/Byte av keramplatta

Då högspänning tillförs keramplattan bildas ozon. Keramplattan bör regelbundet rengöras med t-röd eller liknande. Torka av alla ytor med en torr trasa. Se till att alla komponenterna är helt torra innan maskineen startas på nytt. Om ozonkoncentrationen minskar eller helt upphör måste keramplattan bytas.

### A. Om ditt ozonaggregat har synliga chassiskruvar på långsidorna:

1. Skruva loss alla skruvarna på chassits långsidor.
2. Lyft av maskinens lock.
3. Gå till punkt C.

### B. Om ditt ozonaggregat inte har några synliga chassiskruvar:

1. Skruva loss dom två skruvarna som håller handtaget.
2. Vänd maskinen upp och ner.
3. Lossa de fyra skruvarna som håller maskinens fötter.
4. Tag av chassilocket genom att dra/ skjuta locket framåt.
5. Gå till punkt C.

### C. Byt ut keramplattan:

1. Lossa snabbkopplingarna (F5).
  - 2a. WOZ100  
Lossa de två skruvarna som håller keramplattan (F3).
  - 2b. WOZ3000/6000  
För upp keramplattan (F3) ur sin hållare.
3. Montera i omvänd ordning.

### OBS!

Keramplattan och förfiltret är förslitningsdetaljer och täcks inte av garantin.

All annan service än här beskriven ska utföras av tillverkaren eller auktoriserad partner.

## Service

Om ozonaggregatet behöver underhållas, ska du kontakta din lokala återförsäljare. Kvitto måste uppvisas för alla garantianspråk.

## Förvaringsanvisningar

Förvara ozonaggregatet i rumstemperatur mellan +1°C till +35 °C.

*Det är viktigt att förfiltret byts med jämna intervaller och att keramplattan byts regelbundet. Ozonaggregatets kapacitet kan annars försämrans och eventuellt skadas.*

# ANVÄNDNING AV OZONAGGREGATET

## Digital styrning

Gäller Wood's Airmaster WOZ3000/6000

|  |  |
|--|--|
| <b>Pwr 100%<br/>TimerOff</b>   | <b>Normalt driftläge</b><br>Använd <b>framåt</b> (C2) och <b>bakåt</b> (C4) knapparna för att ställa in ozonproduktionen till önskat värde 1-100%. Timern är avstängd.   |
| <b>Menu</b>  | <b>Meny</b><br>Tryck på <b>set</b> (C3) för att gå in i menyn. Bläddra sedan med knappen <b>framåt</b> (C2) tills du kommer till den funktion du vill ändra.<br><i>(Du kan alltid lämna menyn genom att hålla inne set knappen.)</i>   |
| <b>Timer<br/>Settings</b>  | <b>Timer</b><br>Tryck på <b>set</b> (C3), inställt timer läge visas. Tryck en gång till på <b>set</b> (C3), texten börjar blinka. Bläddra med <b>framåt</b> (C2) tills du hittar önskad timerfunktion. Tryck på <b>set</b> (C3) för att välja funktion.  |
| <b>Mode<br/>Off</b>  | <b>Timern avstängd</b> (fabriksinställning)  |
| <b>Mode<br/>Once</b>   | <b>Avstängnings-Timer</b><br>Wood's Airmaster arbetar i önskad tid och stänger sedan av.<br>Tryck <b>framåt</b> (C2), "Set Timer" visas i displayen. Tryck <b>set</b> (C3), texten blinkar, ställ in önskad tid med <b>framåt</b> (C2) / <b>bakåt</b> (C4) (Tex 15 min 00:15). Tryck <b>set</b> (C3) för att bekräfta tiden (slutar blinka). Håll inne <b>set</b> (C3) för att påbörja timern och lämna menyn.<br>Efter avslutad timer visas "TimedOut" Håll inne <b>framåt</b> (C2) och <b>bakåt</b> (C4) samtidigt så startar timern igen. |
| Ställ in tiden i nedanstående timerlägen på samma sätt som beskrivet i <b>Avstängnings-Timer</b> . |  |
| <b>Mode<br/>Interval</b>   | <b>Intervall-Timer</b><br>Wood's Airmaster växlar mellan ett drift respektiv ett avstängt tidsintervall.<br><br>Ställ först in drifttid "Step on". Tryck <b>framåt</b> (C4). Ställ in avstängd-tid "Step off".   |
| <b>Mode<br/>Daytimer</b>   | <b>Dygns-Timer</b><br>Wood's Airmaster arbetar enligt inställda klockslag. <b>OBS! Ställ in klockan först! (se Klocka)</b><br>Ställ in tillslagstid 1 "Step on 1". Tryck <b>framåt</b> (C2), ställ in frånslagstid 1 "Step off 1".<br>Ställ in tillslagstid 2 "Step on 2". Tryck <b>framåt</b> (C2), ställ in frånslagstid 2 "Step off 2".<br>Ställ in tillslagstid 3 "Step on 3". Tryck <b>framåt</b> (C2), ställ in frånslagstid 3 "Step off 3".<br><br>Om ett läge (tex 3) lämnas tomt dvs. 00:00, så är läget avaktiverat.               |
| <b>SetClock<br/>00:00</b>  | <b>Klocka</b><br>Här ställer du in klockan som används av Dygns-timern.<br>Tryck <b>set</b> (C3), siffrorna blinkar. Ställ in önskat klockslag med <b>framåt</b> (C2) och <b>bakåt</b> (C4). Tryck <b>set</b> för att bekräfta. (24 timmars backup vid strömavbrott)   |
| <b>B.Light<br/>On</b>  | <b>Bakgrundsbelysning</b><br>Bakgrundsbelysningen till displayen kan slås av eller på.   |
| <b>ExtInput<br/>settings</b>   | <b>Anslutning för externa enheter (USB)</b><br>Ingången för externa enheter (t ex ozonmätare), kan slås av eller på.<br>Driftläge kan väljas: <b>Ozone Control</b> - En ansluten Ozongenerator kan styra ozongeneratoren för att erhålla en konstant ozonkoncentration. <b>Ozone Alarm</b> - Om en ansluten ozonmätare upptäcker ett läckage så stänger maskinen av och larmar.  |
| <b>Factory<br/>reset</b>   | <b>Fabriksinställning</b><br>Återställer till fabriksinställningar. <b>OBS! Alla inställningar kommer att raderas.</b>   |
| <b>KEYS<br/>LOCKED</b>   | <b>Knapplås</b><br>Knapparna låses genom att hålla inne <b>set</b> (C3) och <b>framåt</b> (C2) samtidigt tills det visas "KEYS LOCKED" i displayen. Låses upp på samma sätt.   |

## Felsökning

| PROBLEM  | ORSAK                                   | ÅTGÄRD  |
|--|---|---|
| Enheten startar inte och strömbrytaren lyser ej. | Fel på strömförsörjningen.              | Anslut enheten till ett fungerande eluttag och slå på den.                    |
|  | Säkring är sönder (WOZ3000/6000).       | Byt säkring.  |
|  | Strömadaptern är sönder (WOZ100).       | Testa en annan strömadapter (Säkerställ att adaptern har rätt specifikation). |
| Enheten går men med dålig effekt.                | Keramplattan är smutsig.                | Rengör keramplattan.  |
| Enheten går men producerar inget ozon.           | Keramplattan är förbrukad eller sönder. | Byt keramplattan.   |
| Högt fläktljud.                                  | Förfiltret smutsigt / igensatt.         | Byt filter.   |
| Maskinen betar sig märkligt.                     | Programvaran har hängit sig.            | Gör en fabriksåterställning.  |
| Maskinen är felinställd (t ex timer).            | Maskinen är oavsiktligt inställd.       |   |

Efter att ha gått igenom ovanstående felsökning eller om produkten behöver service kontakta din lokala återförsäljare.

## Garantier

2 års fabriksgaranti mot produktionsfel. Observera att garantin endast gäller mot uppvisande av kvittot. Garantin gäller endast om produkten används i enlighet med instruktionerna och säkerhetsvarningarna i denna manual. Garantin täcker inte skador orsakade av felaktigt handhavande av produkten.



### OBS!

Registrera produkten på [www.warranty-woods.com](http://www.warranty-woods.com) och ta del av wood's förmånliga erbjudanden vi erbjuder till just din produkt. Gå in på [www.woods.se](http://www.woods.se) för mer information.

## KUNDSERVICE

Använd alltid originaldelar.  
När du kontaktar vår kundservice, se till att du har följande tillgängligt: Modelbetäckning, kvitto och serienummer.

Notera att all information, säkerhetsföreskrifter och teknisk data i den här manualen kan ändras.



| TEKNISKA DATA        | Airmaster WOZ100                                | Airmaster WOZ3000         | Airmaster WOZ6000         |
|----------------------|---|---------------------------|---------------------------|
| Ozonproduktion       | 100 mg/timme                                    | 0–3000 mg/timme           | 0–6000 mg/timme           |
| Fläktkapacitet       | 40 m <sup>3</sup> /timme                        | 116 m <sup>3</sup> /timme | 116 m <sup>3</sup> /timme |
| Teknik               | Keramplatta                                     | Keramplatta               | Keramplatta               |
| Timer                | -   | Ja                        | Ja                        |
| USB-port             | -   | Ja                        | Ja                        |
| Energiförbrukning    | 8 W/12 V DC<br>(100-240 V nätadapter medföljer) | 34 W/100-230 V            | 38 W/100-230 V            |
| Temperaturområde     | +1 °C – +35°C                                   | +1 °C – +35°C             | +1 °C – +35°C             |
| Mått (LxBxH)         | 196x113x85 mm                                   | 270x180x160 mm            | 270x180x160 mm            |
| Säkringsparameter    | -   | 630mA 250v                | 630mA 250v                |
| Vikt                 | 0,79 kg   | 2,2 kg                    | 2,3 kg                    |
| Utförande            | Rostfritt stål                                  | Rostfritt stål            | Rostfritt stål            |
| Extra tillbehör      | Cigarettändarkabel                              | Ozonmätare                | Ozonmätare                |
| Förslitningsdetaljer | Förfilter<br>Keramplatta                        | Förfilter<br>Keramplatta  | Förfilter<br>Keramplatta  |

\*Tekniska ändringar och förbättringar kan förekomma. Alla värden är ungefärliga och kan variera beroende på yttre omständigheter såsom temperatur och luftfuktighet.



\*Den här märkningen visar att den här produkten inte ska slängas i hushållsavfallet, i hela EU. För att förhindra skador på miljön eller människors hälsa till följd av okontrollerad sophantering ber vi dig att återvinna produkten ansvarsfullt för att främja hållbar återanvändning av materialresurser. För att återvinna din enhet, vänligen använd retur- och insamlingssystemen eller kontakta återförsäljaren där produkten köptes. De kan lämna in denna produkt för miljösäker återvinning.

# PRODUKTBEKRIVELSE

## Produktbeskrivelse

### A.

1. Håndtak
2. Filterholder
3. PÅ/AV-knapp
4. Strømkontakt
5. Sikringsholder
6. Digitalskjerm
7. Innstillingsknapper

### B.

1. USB-port

### C.

#### Digital styring

1. Digitalskjerm
2. Fremover (øke)
3. Still inn (meny)
4. Bakover (redusere)

### D.

#### Slitedeler

1. Forfilter
2. Keramisk plate

### E.

#### Ekstra tilbehør (ikke inkludert)

1. Ozonmåler (ikke WOZ100)
2. Sigartettennerkabel (*bare WOZ100*)

### F.

1. Vifte
2. Høyspenningsmodul
3. Keramisk plate
4. Hull til oppheng (nøkkelhull)
5. Hurtigkobling

## TAKK FOR AT DU HAR VALGT *WOOD'S AIRMASTER* – EN EFFEKTIV OZONGENERATOR MED SVENSK KVALITET

Wood's Airmaster er et svenskprodusert luktsaneringsaggregat med rustfrie detaljer, som tåler tøffe driftsforhold år etter år. Ozonaggregatet eliminerer raskt og effektivt bakterier, virus og lukt fra blant annet fukt, mugg, søppel, avløp, røyk og husdyr.

Wood's Airmaster **WOZ100** egner seg for luktfjerning i hjemmet, kontoret, bilen, båten, campingvogn, søppelrom og sanitærom. Overalt der du vil gjenopprette et friskt og tiltalende miljø.

Ozonet trenger også inn i tekstiler og overfladisk på interiør og tapeter.

Wood's Airmaster **WOZ3000/6000** egner seg for sanering etter brann- og vannskader.

### WOOD'S FOR REN OG SUNN INNELUFT

I over 60 år har Wood's vært kjennetegnet av beste kvalitet, pålitelighet, høy kapasitet og det lavest mulige energiforbruket. I dag distribueres Wood's i mer enn 19 land fra hovedkontoret i Alingsås.

### MEDLEM AV EUROPEAN OZONE TRADE ASSOCIATION (EUOTA) OG MEDEIER I EUOTAS OZON-DOSSIER FOR EFFEKTIVE BIOCIDER.

Dette gjør Wood's Airmaster fremtidssikker og forberedt for fremtidig lovgivning og fremtidige biocidregelverk.



## HVORDAN FUNGERER EN OZONGENERATOR?

Ozon er en spesiell form for oksygen, såkalt aktivt oksygen, som dannes gjennom tilførsel av elektrisk energi inne i en ozongenerator. Ozonet virker ved å oksidere organiske stoffer og dermed fjerne effektivt fremmede luktstoffer, bakterier og virus. I de aller fleste tilfellene blir sluttproduktene bare karbondioksid og vann.

I uteluft varierer konsentrasjonen av ozon fra 0,001–0,040 deler per million (ppm). Svenske HMS-myndigheter har satt grenseverdien til 0,1 ppm ozon ved 8 timers eksponering i forbindelse med arbeid. Ved konsentrasjoner på rundt 0,015–0,020 ppm oppleves gassen som ren frisk luft (som etter et tordenvær). Ved 0,050 ppm begynner gassen å lukte skarpt, og ved 0,1 ppm kan det oppstå irritasjon i øyne og svelg.

### VIKTIG!



Lokaliser og iverksett tiltak mot det som forårsaker luktproblemet, før luktsaneringen for å unngå at lukten kommer tilbake.

**Ozon er skadelig å puste inn, og ozonaggregater skal derfor brukes forsiktig.**

#### *Wood's Airmaster WOZ100*

Skal ikke brukes over lengre tid der mennesker eller dyr oppholder seg. Kort eksponering (mindre enn 5 minutter) er ufarlig.

#### *Wood's Airmaster WOZ3000/6000*

Gå ikke inn på steder der behandling pågår.

Les bruksanvisningen nøye før bruk.



## SIKKERHETSADVARSLER



Sikkerhetsinformasjon finner du i denne bruksanvisningen.



Les den tekniske håndboken.



Les bruksanvisningen.

## SIKKERHETSINFORMASJON

Les nøye gjennom den medfølgende bruksanvisningen før apparatet installeres og tas i bruk. Produsenten påtar seg ikke ansvar for personskade og materielle skader forårsaket av feilaktig installasjon. Oppbevar alltid instruksjonene sammen med apparatet for fremtidig referanse.

### Sikkerhet for barn og utsatte personer

#### ADVARSEL

Fare for personskade eller permanent invaliditet. La ikke barn leke med apparatet. Oppbevar all emballasje utilgjengelig for barn. Rengjøring og vedlikehold skal ikke utføres av barn.

#### Generell sikkerhet

Ozonaggregat skal brukes med forsiktighet og ikke over lengre tid i miljøer der mennesker oppholder seg,

for eksempel i boliger eller på kontorer. Kort eksponering, for eksempel i søppelrom eller lignende, er ufarlig (WOZ100). Spyl ikke utstyret med vann, og plasser det heller ikke på et sted der det kommer i kontakt med vann.

Overhold anbefalte romarealer ved bruk der folk oppholder seg.

Ved all service og reparasjon skal strømmen til utstyret være koblet fra. All bruk av utstyret skal skje i henhold til denne håndboken. Vi påtar oss ikke ansvar for noen annen bruk.

## SIKKERHETSFORSKRIFTER

### Installasjon

#### ADVARSEL

Fjern all emballasje og kontroller at produktet ikke er skadet. Bruk/installer ikke produktet hvis det er skadet.

### Tilkobling til strømnettet

#### ADVARSEL

Risiko for brann og elektrisk støt ved feilbruk. Apparatet må kobles til en jordet stikkontakt. Påse at den elektriske informasjonen på typeskiltet samsvarer med strømforsyningen. Kontakt en elektriker hvis ikke. Bruk alltid en korrekt installert, støtsikker stikkontakt. Bruk aldri en skadet strømkabel eller skjøteledning.

Påse at de elektriske komponentene ikke er skadet (f.eks. støpselet, ledning).

Kontakt det autoriserte servicecenteret eller en elektriker for å skifte ut elektriske komponenter.

Sett støpselet i stikkontakten først når installasjonen er fullført.

Påse at det er enkelt å komme til støpselet etter installasjonen.

Trekk ikke i ledningen når du skal koble fra apparatet. Hold alltid i støpselet når du skal trekke ut ledningen.

### Kassering

#### ADVARSEL

Koble fra strømmen til apparatet. Bruk systemet for retur og innsamling hvis enheten skal gjenvinnes. Kontakt kommunen for å få opplysninger om hvordan du kasserer apparatet på riktig måte.



## BRUK OG VEDLIKEHOLD AV OZONAGGREGATET

### **VIKTIG!**

Lokaliser og iverksett tiltak mot det som forårsaker luktproblemet, før luktsaneringen for å unngå at lukten kommer tilbake.

Ozon er skadelig å puste inn, og ozonaggregater skal derfor brukes forsiktig.

Bruk ikke ozonaggregatet når personer oppholder seg i rommet.

For Wood's Airmaster WOZ100 er kortvarig eksponering på mindre enn 5 minutter ufarlig.

For Wood's Airmaster WOZ3000/6000 skal ingen personer gå inn på området som behandles.

### **Behandling med Wood's Airmaster**

#### **1. Forberedelse:**

Rengjør rommet omhyggelig, støvsug og tørk av alle flater, og reparer og/eller fjern problemet som har forårsaket lukt.

#### **2. Påse at området trygt kan behandles:**

Fjern husdyr og planter. Fjern verdifullt og/eller høyteknologisk utstyr, for eksempel bærbare datamaskiner og verdifulle oljemalerier.

Påse at ingen mennesker oppholder seg i rommet.

#### **3. Ozonbehandling:**

Plasser ozonaggregatet i midten av rommet (helst på en lett opphøyd flate, f.eks. et bord).

Koble den medfølgende ledningen til et strømuttak (A4). Ozonaggregatet kan nå startes med på/av-knappen (A3). Still inn timeren (C) på ønsket tid (modeller med en timer).

Det kan ta opptil 5 minutter før full effekt er oppnådd.

#### **4. Behandlingens varighet:**

2–72 timer, avhengig av luktens intensitet. Den gjennomsnittlige behandlingstiden er 24 timer. Begynn helst med 4–8 timer og gjenta etter behov.

#### **5. Etter ozonbehandlingen:**

Slå av ozonaggregatet og åpne vinduene. Etter behandlingen kommer det til å være igjen ozon i luften, lukter som klor. Luft ut resterende ozon fra rommet. Kontroller rommet. Gjenta prosedyren dersom uønsket lukt gjenstår. Alle berørte rom må behandles separat.

### **Ved fast installasjon**

Ozonaggregatet kan monteres på vegg med en «nøkkelhullsløsning» (F4) på ozonaggregatets underside.

Koble den medfølgende ledningen til et strømuttak (A4). Ozonaggregatet kan nå startes med på/av-knappen (A3).

### **Tilkobling av ozonmåler (E1)**

Tilbehøret ozonmåler (E1) kobles til USB-porten (B1) på baksiden.

## BRUK OG VEDLIKEHOLD AV OZONAGGREGATET

### Bruk

Plasser ozonaggregatet på et tørt sted med god ventilasjon, gjerne høyt oppe, ca. 1,5 m over gulvet. Det er viktig at lufttilgangen til viften ikke hindres.

Koble den medfølgende ledningen til strømkontakten (A4).

Ozonaggregatet kan nå startes med på/av knappen (A3). Ozonaggregatet starter i driftsmodus med full effekt (100 %).

Det kan ta opptil 5 minutter før full effekt er oppnådd.

### Starte maskinen

1. Start ozonaggregatet.  
Sett strømbryteren (A3) til ON
2. Slå av ozonaggregatet  
Sett strømbryteren (A3) til OFF

### Digital styring med timer

(Gjelder Wood's Airmaster WOZ3000/6000)  
Ozonmengden/effekten kan varieres mellom 0–100 %.  
Timerinnstillinger: Timer for døgn, intervall og avstengning.  
Se ytterligere instruksjoner i «**Digital styring**» på neste side.

### Vedlikehold

#### OBS!

Trekk alltid ut støpselet før service/vedlikehold utføres.

#### Skifte forfilter

Forfilteret må skiftes hver annen til hver fjerde måned, avhengig av omgivelsene.

1. Løsne filterholderen (A2) med håndkraft.
2. Skift ut filteret med et nytt.
3. Sett tilbake filterholderen (A2).

#### Rengjøring/skifte av keramisk plate

Det dannes ozon når høyspenning tilføres den keramiske platen. Den keramiske platen bør rengjøres regelmessig med rødsprit eller lignende. Tørk av alle flater med en tørr klut. Påse at alle komponentene er helt tørre før maskinen startes på nytt. Hvis ozonkonsentrasjonen minsker eller opphører helt, må den keramiske platen skiftes ut.

#### A. Hvis ozonaggregatet har synlige kabinettskruer på langsiden:

1. Skru løs alle skruene på kabinettets langsider.
2. Løft av maskinens lokk.
3. Gå til punkt C.

#### B. Hvis ozonaggregatet ikke har noen synlige kabinettskruer:

1. Skru løs de to skruene som fester håndtaket.
2. Snu maskinen opp ned.
3. Løsne de fire skruene som fester maskinens føtter.
4. Ta av kabinettdekselet ved å dra/skyve dekselet fremover.
5. Gå til punkt C.

#### C. Skifte ut den keramiske platen:

1. Løsne hurtigkoblingene (F5).
  - 2a. WOZ100  
Løsne de to skruene som holder den keramiske platen (F3).
  - 2b. WOZ3000/6000  
Før den keramiske platen (F3) oppover og ut av holderen.
3. Monter i omvendt rekkefølge.

#### OBS!

Den keramiske platen og forfilteret er slitedeler og dekkes ikke av garantien. All annen service enn den som er beskrevet her, skal utføres av produsenten eller en autorisert partner.

### Service

Kontakt din lokale forhandler hvis ozonaggregatet trenger vedlikehold. Kvittering må fremvises for alle garantikrav.

### Oppbevaring

Oppbevar ozonaggregatet i romtemperatur fra +1°C til +35 °C.

*Det er viktig at forfilteret skiftes med jevne mellomrom, og at den keramiske platen skiftes regelmessig. Ozonaggregatets kapasitet kan ellers reduseres og eventuelt skades.*

# BRUK AV OZONAGGREGATET

## Digital styring

Gjelder Wood's Airmaster WOZ3000/6000

|                                    |   |
|------------------------------------|---|
| <b>Pwr 100%</b><br><b>TimerOff</b> | <b>Normal driftsmodus</b><br>Bruk <b>frem-</b> (C2) og <b>tilbake-</b> (C4) knappene for å stille inn ozonproduksjonen på ønsket verdi 1–100 %. Timeren er avslått.   |
| <b>Menu</b>                        | <b>Meny</b><br>Trykk på <b>still inn</b> (C3) for å åpne menyen. Bla deretter med knappen <b>fremover</b> (C2) til du kommer til funksjonen du vil endre.<br><i>(Du kan alltid avslutte menyen ved å holde inne Still inn-knappen.)</i>   |
| <b>Timer Settings</b>              | <b>Timer</b><br>Trykk på <b>still inn</b> (C3) til innstilt tid vises. Trykk en gang til på <b>still inn</b> (C3), så begynner teksten å blinke. Bla med <b>fremover</b> (C2) til du finner ønsket timerfunksjon. Trykk på <b>still inn</b> (C3) for å velge funksjon.  |
| <b>Mode Off</b>                    | <b>Timeren slått av</b> (fabrikkinnstilling)  |
| <b>Mode Once</b>                   | <b>Timer for å slå av</b><br>Wood's Airmaster arbeider i ønsket tid og slås deretter av.<br>Trykk på <b>fremover</b> (C2), «Set Timer» vises på skjermen. Trykk på <b>still inn</b> (C3). Teksten blinker, og du kan stille inn ønsket tid med <b>fremover</b> (C2) / <b>bakover</b> (C4) (f.eks. 15 min 00:15). Trykk på <b>still inn</b> (C3) for å bekrefte tiden (slutter å blinke). Hold inne <b>still inn</b> (C3) for å starte timeren og gå ut av menyen.<br>Etter avsluttet timer vises «TimedOut». Hold inne <b>fremover</b> (C2) og <b>bakover</b> (C4) samtidig for å starte timeren igjen. |

Still inn tiden i timerinnstillingene nedenfor, slik det er beskrevet i **Timer for å slå av**.

|                      |   |
|----------------------|---|
| <b>Mode Interval</b> | <b>Intervall-timer</b><br>Wood's Airmaster veksler mellom henholdsvis drift og avslått tidsintervall.<br><br>Still først inn driftstid «Step on». Trykk på <b>fremover</b> (C4). Still inn tid for å slå av «Step off».   |
| <b>Mode Daytimer</b> | <b>Døgn-timer</b><br>Wood's Airmaster arbeider etter innstilte klokkeslett. <b>OBS! Still klokken først! (se Klokke)</b><br>Still inn innkoblingstid 1 «Step on 1». Trykk på <b>fremover</b> (C2). Still inn utkoblingstid 1 «Step off 1».<br>Still inn innkoblingstid 2 «Step on 2». Trykk på <b>fremover</b> (C2). Still inn utkoblingstid 2 «Step off 2».<br>Still inn innkoblingstid 3 «Step on 3». Trykk på <b>fremover</b> (C2). Still inn utkoblingstid 3 «Step off 3».<br><br>Hvis en innstilling (f.eks. 3) står tom, dvs. 00:00, er innstillingen deaktivert. |

|                          |   |
|--------------------------|---|
| <b>SetClock 00:00</b>    | <b>Klokke</b><br>Her stiller du inn klokken som brukes av døgn-timeren.<br>Trykk på <b>still inn</b> (C3). Tallene blinker. Still inn ønsket klokkeslett med <b>fremover</b> (C2) og <b>bakover</b> (C4). Trykk på <b>still inn</b> for å bekrefte. (24 timers reservestrøm ved strøbrudd)  |
| <b>B.Light On</b>        | <b>Bakgrunnsbelysning</b><br>Bakgrunnsbelysningen til skjermen kan slås av eller på.  |
| <b>ExtInput settings</b> | <b>Tilkobling av eksterne enheter (USB)</b><br>Inngangen for eksterne enheter (f.eks. ozonmåler), kan slås av eller på.<br>Driftsmodus kan velges: <b>Ozone Control</b> – En tilkoblet ozongenerator kan styre ozongeneratoren for å opprettholde en konstant konsentrasjon av ozon. <b>Ozone Alarm</b> – Hvis en tilkoblet ozonmåler oppdager en lekkasje, slås maskinen av og det utløses en alarm. |
| <b>Factory reset</b>     | <b>Fabrikkinnstilling</b><br>Tilbakestiller til fabrikkinnstillingene. <b>OBS! Alle innstillinger slettes.</b>  |

|                    |   |
|--------------------|---|
| <b>KEYS LOCKED</b> | <b>Knappplås</b><br>Knappene låses ved å holde inne <b>still inn</b> (C3) og <b>fremover</b> (C2) samtidig, til «KEYS LOCKED» vises på skjermen. Låses opp på samme måte. |
|--------------------|---|

## Feilsøking

| PROBLEM  | ÅRSAK  | TILTAK   |
|--|--|--|
| Enheden starter ikke, og strømbryteren lyser ikke. | Feil i strømforsyningen                        | Koble enheten til et fungerende strømuttak og slå den på.                      |
|  | Sikringen har gått (WOZ3000/6000).             | Bytt sikring.  |
|  | Strømadapteren er ødelagt (WOZ100).            | Prøv en annen strømadapter (kontroller at adapteren har riktig spesifisering). |
| Enheden går, men med dårlig effekt.                | Den keramiske platen er skitten.               | Rengjør den keramiske platen.  |
| Enheden går, men produserer ingen ozon.            | Den keramiske platen er utslitt eller ødelagt. | Skift ut den keramiske platen.   |
| Høy viftelyd.                                      | Forfilteret er skittent/tilstoppet.            | Skift filter.  |
| Maskinen oppfører seg merkelig.                    | Programvaren har hengt seg opp.                | Gjenoppsett fabrikkinnstillingene.   |
| Maskinen er feil innstilt (f.eks. timeren).        | Maskinen er blitt innstilt ved et uhell.       |  |

Kontakt din lokale forhandler etter at du har gjennomgått feilsøkingen ovenfor, eller hvis produktet trenger service.

## Garantier

2 års fabrikkgaranti mot produksjonsfeil. Vær oppmerksom på at du må vise kvitteringen for at garantien skal gjelde. Garantien gjelder bare hvis produktet brukes i henhold til instruksjonene og sikkerhetsadvarslene i denne bruksanvisningen. Garantien dekker ikke skader som skyldes feilaktig håndtering av produktet.



### OBS!

Registrer produktet på [www.warranty-woods.com](http://www.warranty-woods.com) og få tilgang til Wood's fordelaktige tilbud til nettopp ditt produkt. Gå inn på [www.woods.se](http://www.woods.se) hvis du vil ha mer informasjon.

## KUNDESERVICE

Bruk alltid originaldeler. Sørg for å ha følgende tilgjengelig når du kontakter vår kundeservice: Modellbenevnelse, kvittering og serienummer.

Vær oppmerksom på at all informasjon, sikkerhetsforskrifter og tekniske data i denne håndboken kan endres.



| TEKNISKE DATA     | Airmaster WOZ100                                 | Airmaster WOZ3000           | Airmaster WOZ6000           |
|-------------------|--|-----------------------------|-----------------------------|
| Ozonproduksjon    | 100 mg/time                                      | 0–3000 mg/time              | 0–6000 mg/time              |
| Viftekapasitet    | 40 m <sup>3</sup> /time                          | 116 m <sup>3</sup> /time    | 116 m <sup>3</sup> /time    |
| Teknikk           | Keramisk plate                                   | Keramisk plate              | Keramisk plate              |
| Timer             | –  | Ja                          | Ja                          |
| USB-port          | –  | Ja                          | Ja                          |
| Energiforbruk     | 8 W/12 V DC<br>(100–240 V nettdapter følger med) | 34 W/100–230 V              | 38 W/100–230 V              |
| Temperaturområde  | +1 °C – +35°C                                    | +1 °C – +35°C               | +1 °C – +35°C               |
| Mål (L x B x H)   | 196 x 113 x 85 mm                                | 270 x 180 x 160 mm          | 270 x 180 x 160 mm          |
| Sikringsparameter | –  | 630 mA 250 V                | 630 mA 250 V                |
| Vekt              | 0,79 kg  | 2,2 kg                      | 2,3 kg                      |
| Utførelse         | Rustfritt stål                                   | Rustfritt stål              | Rustfritt stål              |
| Ekstra tilbehør   | Sigarettennerkabel                               | Ozonmåler                   | Ozonmåler                   |
| Slitedeler        | Forfilter<br>Keramisk plate                      | Forfilter<br>Keramisk plate | Forfilter<br>Keramisk plate |

\*Tekniske endringer og forbedringer kan forekomme. Alle verdier er omtrentlige og kan variere med ytre omstendigheter som temperatur og luftfuktighet.



\*Dette symbolet viser at dette produktet ikke skal kastes i husholdningsavfallet. Det gjelder i hele EU. For å hindre skader på miljøet eller menneskers helse som følge av ukontrollert avfallshåndtering ber vi deg om å gjenvinne produktet ansvarfullt for å fremme bærekraftig bruk av materielle ressurser. Bruk retur- og innsamlingsystemer for å gjenvinne enheten, eller kontakt forhandleren der produktet ble kjøpt. De kan levere inn dette produktet for miljøsikker gjenvinning.

# PRODUKTBESKRIVELSE

## Produktbeskrivelse

### A.

1. Håndtag
2. Filterholder
3. TÆND/SLUK-knap
4. Strømskik
5. Sikringsholder
6. Digitalt display
7. Indstillingsknapper

### B.

1. USB-port

### C.

Digital styring

1. Digitalt display
2. Fremad (øgning)
3. SET (meny)
4. Tilbage (mindskning)

### D.

Sliddele

1. Forfilter
2. Keramisk plade

### E.

Ekstraudstyr (medfølger ikke)

1. Ozonmåler (ikke WOZ100)
2. Cigaretænderkabel (*kun WOZ100*)

### F.

1. Blæser
2. Højspændingsmodul
3. Keramisk plade
4. Hul til ophængning (nøglehul)
5. Lynkobling

## TAK, FORDI DU HAR VALGT WOOD'S AIRMASTER – EN EFFEKTIV OZONGENERATOR MED SVENSK KVALITET

Wood's Airmaster er et svenskfremstillet aggregat til fjernelse af lugt, som er lavet med rustfrie dele, der tåler barske driftsforhold år efter år. Ozonaggregatet fjerner hurtigt og effektivt bakterier, virus og lugte fra f.eks. fugt, mug, skrald, afløb, røg og kæledyr.

Wood's Airmaster **WOZ100** er velegnet til fjernelse af lugt på kontoret og i hjemmet, bilen, båden, campingvognen, affaldsrummet og hygiejneområder. Alle steder, hvor du ønsker at få et sundt og frisk miljø igen.

Ozonen trænger også ind i tekstiler og overfladisk i møblement og tapet.

Wood's Airmaster **WOZ3000/6000** er velegnet til ekstrem lugtsanering efter brand og vandskader.

### WOOD'S GIVER EN REN OG SUND INDELUFT

I over 60 år har Wood's været kendetegnet ved uovertruffen kvalitet, driftssikkerhed, høj kapacitet og lavest mulige energiforbrug. I dag forhandles Wood's produkter i mere end 19 lande fra hovedkontoret i Alingsås i Sverige.

### MEDLEM AF EUROPEAN OZONE TRADE ASSOCIATION (EUOTA) OG MEDEJER AF EUOTAS "OZONE DOSSIER" VEDRØRENDE AKTIVE BIOCIDHOLDIGE STOFFER.

Dette gør Wood's Airmaster fremtidssikret og forberedt til fremtidig lovgivning vedrørende regulering af biocider.



## HVORDAN VIRKER EN OZONGENERATOR?

Ozon er en særlig form for ilt, såkaldt aktiv ilt, og dannes gennem tilførsel af elektrisk energi inde i en ozongenerator. Ozonen oxiderer organiske stoffer og fjerner dermed effektivt fremmede lugtstoffer samt bakterier og virus. I langt de fleste tilfælde er slutprodukterne blot kuldioxid og vand.

I udendørs luft varierer koncentrationen af ozon mellem 0,001 og 0,040 parts per million (ppm). Den svenske arbejdsmiljøstyrelse har fastsat grænseværdien til 0,1 ppm ozon ved 8 timers eksponering under arbejdet. Ved koncentrationer på omkring 0,015-0,020 ppm opfattes gassen som ren frisk luft (som efter tordenregn). Ved 0,050 ppm begynder gassen at blive skarp i lugten, og ved 0,1 ppm kan man få irritation i øjne og svælg.

### VIGTIGT!



Lokaliser og gør noget ved det, der forårsager lugtproblemet, inden lugten fjernes. Ellers vender lugten tilbage.

**Ozon er skadelig at inhalere, og derfor skal ozonaggregatet anvendes med forsigtighed.**

#### **Wood's Airmaster WOZ100**

Må ikke anvendes i længere tid på steder, hvor mennesker eller dyr opholder sig. Kortvarig eksponering (mindre end 5 minutter) er harmløst.

#### **Wood's Airmaster WOZ3000/6000**

Rummet må ikke betrædes under behandlingen.

Læs betjeningsvejledningen grundigt før brug.



## SIKKERHEDSADVARSLER



Se denne betjeningsvejledning vedrørende sikkerhedsoplysninger.



Læs den tekniske manual.



Læs betjeningsvejledningen.

## SIKKERHEDSOPLYSNINGER

Læs medfølgende instruktioner grundigt, før du installerer og bruger apparatet. Producenten påtager sig intet ansvar for forkert installation, der forårsager personskade eller materielle skader. Opbevar altid instruktionerne sammen med apparatet til senere brug.

### Børn og sårbare personers sikkerhed

#### ADVARSEL

Risiko for personskade eller permanent invaliditet.

Lad ikke børn lege med apparatet.

Al emballage skal opbevares utilgængeligt for børn.

Rengøring og vedligeholdelse må ikke udføres af børn.

### Generel sikkerhed

Ozonaggregatet skal anvendes med forsigtighed og må ikke anvendes i længere tid i miljøer, hvor mennesker

opholder sig, f.eks. i hjemmet eller på et kontor. Kortvarig eksponering er ufarlig, for eksempel i affaldsrum og lignende (WOZ100).

Udstyret må ikke skylles med vand, og det må heller ikke placeres på en sådan måde, at det kommer i kontakt med vand.

Overhold de anbefalede rumarealer ved brug i lokaler, hvor mennesker opholder sig. Inden service og reparation skal strømmen til udstyret afbrydes. Al brug af udstyret skal ske i overensstemmelse med denne betjeningsvejledning. Der tages ikke ansvar for anden brug.

## SIKKERHEDSFORSKRIFTER

### Installation

#### ADVARSEL

Fjern al emballage, og kontrollér, at produktet ikke er beskadiget. Produktet må ikke anvendes/installeres, hvis det er beskadiget.

### Tilslutning til elnettet

#### ADVARSEL

Risiko for brand og elektrisk stød ved forkert brug.

Apparatet skal tilsluttes en jordet stikkontakt.

Sørg for, at de elektriske oplysninger på mærkepladen stemmer overens med strømforsyningen. Hvis ikke, skal du kontakte en elektriker.

Brug altid en korrekt installeret, stødsikker stikkontakt.

Brug aldrig et beskadiget grenudtag eller et beskadiget forlænger kabel.

Sørg for, at de elektriske komponenter ikke er beskadiget (f.eks. stik, strømledning).

Kontakt det autoriserede servicecenter eller en elektriker for at udskifte elektriske komponenter.

Stikket må først sluttes til stikkontakten, når installationen er fuldført.

Sørg for, at det er nemt at få adgang til stikket efter installationen.

Træk ikke i ledningen for at frakoble apparatet. Hold altid i stikket, når du trækker ledningen ud.

### Bortskaffelse

#### ADVARSEL

Frakobl apparatet fra elnettet.

Brug retur- og indsamlingssystemerne til genvinding af apparatet. Kontakt din kommune for at få oplysninger om, hvordan apparatet bortskaffes korrekt.



## BRUG OG VEDLIGEHOLDELSE AF OZONAGGREGATET

### **VIGTIGT!**

Lokaliser og gør noget ved det, der forårsager lugtproblemet, inden lugten fjernes. Ellers vender lugten tilbage.

Ozon er skadelig at inhalere, og derfor skal ozonaggregatet anvendes med forsigtighed.

Brug ikke ozonaggregatet, når der er personer i rummet.

Med hensyn til Wood's Airmaster WOZ100 er kortvarig eksponering på mindre end 5 minutter ufarligt.

Med hensyn til Wood's Airmaster WOZ3000/6000 må det område, der behandles, slet ikke betrædes.

### **Behandling med Wood's Airmaster**

#### **1. Forberedelse:**

Rengør rummet grundigt. Støvsug og tør alle overflader af og/eller reparer/ fjern det problem, der har forårsaget lugten.

#### **2. Sørg for, at området er sikkert at behandle:**

Fjern kæledyr og planter. Fjern værdifuldt højteknologisk udstyr, såsom bærbare computere, og værdifulde oliemalerier. Sørg for, at der ikke er nogen mennesker i rummet.

#### **3. Ozonbehandling:**

Placer ozonaggregatet i midten af rummet (helst på en lidt højere flade, f.eks. et bord).

Tilslut den medfølgende strømledning til strømstikket (A4). Ozonaggregatet kan nu startes med tænd/sluk-knappen (A3), og timeren (C) kan indstilles til den ønskede tid (modeller med en timer). Det kan tage op til ca. 5 minutter, før der er opnået fuld effekt.

#### **4. Behandlingens varighed:**

2-72 timer afhængigt af, hvor kraftig lugten er. Den gennemsnitlige behandlingstid er 24 timer. Start helst med 4-8 timer, og gentag om nødvendigt behandlingen.

#### **5. Efter ozonbehandlingen:**

Sluk for ozonaggregatet, og åbn vinduerne. Efter behandlingen vil der være ozon tilbage i luften. Det lugter som klorin. Luft den resterende ozon ud af rummet. Kontrollér rummet. Hvis der stadig er en uønsket lugt, skal proceduren gentages. Alle berørte rum skal behandles separat.

### **Ved fast installation**

Ozonaggregatet kan monteres på en væg med et "nøglehul" til ophængning (F4) på ozonaggregatets underside.

Tilslut den medfølgende strømledning til strømstikket (A4). Ozonaggregatet kan nu startes med tænd/sluk-knappen (A3).

### **Tilslutning af ozonmåler (E1)**

Ozonmåleren (E1), som er ekstraudstyr, tilsluttes til USB-porten (B1) på bagsiden.

## BRUG OG VEDLIGEHOVELSE AF OZONAGGREGATET

### Brug

Placer ozonaggregatet på et tørt sted med god ventilation, gerne højt oppe omkring 1,5 m over gulvet. Det er vigtigt, at intet forhindrer luftens adgang til blæseren.

Tilslut den medfølgende strømledning til strømstikket (A4).

Ozonaggregatet kan nu startes med tænd/sluk-knappen (A3). Ozonaggregatet starter i driftstilstand med fuld effekt (100 %).

Det kan tage op til ca. 5 minutter, før der er opnået fuld effekt.

### Start maskinen

1. Start ozonaggregatet.  
Indstil tænd/sluk-knappen (A3) til ON.
2. Sluk for ozonaggregatet  
Indstil tænd/sluk-knappen (A3) til OFF.

### Digital styring med timer

(Gælder Wood's Airmaster WOZ3000/6000)

Ozonmængden/effekten kan varieres mellem 0-100 %.

Timertilstande: Døgn-, interval- og slukningstimer.

Se endvidere instruktionerne om "Digital styring" på næste side.

### Vedligeholdelse

#### OBS!

Tag altid elledningen ud, før der foretages service/vedligeholdelse.

#### Udskiftning af forfilter

Forfiltret skal skiftes hver anden til hver fjerde måned afhængigt af det omgivende miljø.

1. Løsn filterholderen (A2) med hånden.
2. Udskift filtret med et nyt.
3. Sæt filterholderen (A2) tilbage.

#### Rengøring/udskiftning af den keramiske plade

Da højspænding tilføres den keramisk plade, dannes der ozon. Den keramiske plade skal rengøres regelmæssigt med T-rød eller lignende. Tør alle overflader af med en tør klud. Sørg for, at alle komponenterne er helt tørre, før du genstarter maskinen. Hvis ozonkoncentrationen falder eller helt ophører, skal den keramiske plade udskiftes.

#### A. Hvis dit ozonaggregat har synlige chassisskruer pr. lange side:

1. Løsn alle skrueerne på chassissets lange sider.
2. Løft låget af aggregatet.
3. Gå til punkt C.

#### B. Hvis dit ozonaggregat ikke har synlige chassisskruer:

1. Skru de to skrue af, der holder håndtaget.
2. Vend aggregatet på hovedet.
3. Løsn de fire skrue, der holder aggregatets fødder.
4. Fjern chassislåget ved at trække/skubbe det fremad.
5. Gå til punkt C.

#### C. Udskift den keramiske plade:

1. Løsn lynkoblingerne (F5).
  - 2a. WOZ100  
Løsn de to skrue, der holder den keramiske plade (F3).
  - 2b. WOZ3000/6000  
Skub den keramiske plade (F3) ud af holderen.

3. Monter delene i omvendt rækkefølge.

#### OBS!

Den keramiske plade og forfiltret er sliddele, som ikke er dækket af garantien.

Al anden service end den her beskrevne skal udføres af producenten eller en autoriseret servicepartner.

### Service

Hvis ozonaggregatet skal vedligeholdes, skal du kontakte din lokale forhandler. Der skal fremvises kvittering ved garantikrav.

### Opbevaringsanvisninger


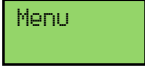
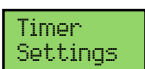
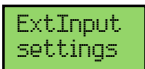

Ozonaggregatet skal opbevares ved stuetemperatur mellem +1° C og +35° C.

*Det er vigtigt, at forfiltret udskiftes med jævne mellemrum, og at den keramiske plade udskiftes regelmæssigt. I modsat fald kan ozonaggregatets kapacitet blive dårlig eller muligvis beskadiges.*

## BRUG AF OZONAGGREGATET

## Digital styring

Gælder Wood's Airmaster WOZ3000/6000

|   |   |
|---|---|
|                          | <b>Normal driftstilstand</b><br>Brug <b>knapperne fremad</b> (C2) og <b>tilbage</b> (C4) til at indstille ozonproduktionen til den ønskede værdi mellem 1-100 %. Timeren er slået fra.  |
|                          | <b>Menu</b><br>Tryk på <b>SET</b> (C3) for at komme ind i menuen. Bladr derefter med knappen <b>fremad</b> (C2), indtil du kommer til den funktion, du vil ændre.<br><i>(Du kan altid forlade menuen ved at holde SET-knappen inde.)</i>  |
|                          | <b>Timer</b><br>Tryk på <b>SET</b> (C3). Den indstillede timertilstand vises. Tryk en gang til på <b>SET</b> (C3). Teksten begynder at blinke. Bladr med <b>fremad</b> (C2), indtil du finder den ønskede timerfunktion. Tryk på <b>SET</b> (C3) for at vælge funktion.   |
|                          | <b>Timeren er slået fra</b> (fabriksindstilling).   |
|                         | <b>Slukningstimer</b><br>Wood's Airmaster kører i det ønskede tidsrum og slukker derefter.<br>Tryk <b>fremad</b> (C2). "Set Timer" vises på displayet. Tryk på <b>SET</b> (C3). Teksten blinker. Indstil den ønskede tid med <b>fremad</b> (C2) / <b>tilbage</b> (C4) (f.eks. 15 min – 00:15). Tryk på <b>SET</b> (C3) for at bekræfte tiden (den holder op med at blinke). Hold <b>SET</b> (C3) inde for at starte timeren og forlade menuen.<br>Når timeren er afsluttet, vises "TimedOut". Når knapperne <b>fremad</b> (C2) og <b>tilbage</b> (C4) holdes inde samtidig, starter timeren igen. |
| Indstil klokkeslættet i nedenstående timertilstande på samme måde som beskrevet i <b>Slukningstimer</b> . |   |
|                        | <b>Intervaltimer</b><br>Wood's Airmaster skifter mellem at være i drift og være slukket i de indstillede tidsintervaller.<br>Indstil først driftstiden ("Step on"). Tryk på <b>fremad</b> (C4). Indstil slukningstiden ("Step off").  |
|                        | <b>Døgntimer</b><br>Wood's Airmaster kører i henhold til de indstillede klokkeslæt. <b>OBS! Indstil uret først! (se Ur)</b><br>Indstil starttidspunkt 1 ("Step on 1"). Tryk på <b>fremad</b> (C2), og indstil slukketidspunkt 1 ("Step off 1").<br>Indstil starttidspunkt 2 ("Step on 2"). Tryk på <b>fremad</b> (C2), og indstil slukketidspunkt 2 ("Step off 2").<br>Indstil starttidspunkt 3 ("Step on 3"). Tryk på <b>fremad</b> (C2), og indstil slukketidspunkt 3 ("Step off 3").<br>Hvis en tilstand (f.eks. 3) efterlades tom, dvs. 00:00, er tilstanden deaktiveret.                     |
|                        | <b>Ur</b><br>Her kan du indstille uret, der bruges af døgntimeren.<br>Tryk på <b>SET</b> (C3). Tallene blinker. Indstil det ønskede klokkeslæt med <b>fremad</b> (C2) og <b>tilbage</b> (C4). Tryk på <b>SET</b> for at bekræfte. (Der er 24 timers backup i tilfælde af strømsvigt)  |
|                        | <b>Baggrundsbelysning</b><br>Baggrundsbelysningen på displayet kan slås til eller fra.  |
|                        | <b>Tilslutning af eksterne enheder (USB)</b><br>Indgangen til eksterne enheder (f.eks. ozonmåler) kan slås til eller fra.<br>Der kan vælges driftstilstand: <b>Ozone Control</b> – En tilsluttet ozonmåler kan styre ozongeneratoren for at opnå en konstant ozonkoncentration. <b>Ozone Alarm</b> – Hvis en tilsluttet ozonmåler opdager en lækage, slukkes maskinen og udsender en alarm.   |
|                        | <b>Fabriksindstilling</b><br>Fabriksindstillingerne gendannes. <b>OBS! Alle indstillinger slettes.</b>  |
|                        | <b>Knaplås</b><br>Tasterne låses ved at holde <b>SET</b> (C3) og <b>fremad</b> (C2) inde samtidig, indtil "KEYS LOCKED" vises på displayet. Knapperne låses op på samme måde.   |

## Fejlfinding

| PROBLEM   | ÅRSAG  | HANDLING  |
|---|--|---|
| Aggregatet starter ikke, og tænd/sluk-knappen lyser ikke. | Fejl i strømforsyningen.                             | Tilslut aggregatet til en fungerende stikkontakt, og tænd det.                    |
|   | Sikringen er sprunget (WOZ3000/6000).                | Skift sikring.  |
|   | Strømadapteren er gået i stykker (WOZ100).           | Test en anden strømadapter (sørg for, at adapteren har de rette specifikationer). |
| Enheden kører, men med dårlig effekt.                     | Den keramiske plade er snavset.                      | Rengør den keramiske plade.   |
| Aggregatet kører, men producerer ikke ozon.               | Den keramiske plade er opbrugt eller gået i stykker. | Udskift den keramiske plade.  |
| Høj blæserlyd.  | Forfiltret er snavset/tilstoppet.                    | Udskift filtret.  |
| Aggregatet opfører sig mærkeligt.                         | Softwaren er holdt op med at fungere.                | Gendan fabriksindstillingerne.  |
| Maskinen er forkert indstillet (f.eks. timeren).          | Maskinen er indstillet uhensigtsmæssigt.             |   |

Kontakt din lokale forhandler, hvis du har gennemgået ovenstående fejlfindingsprocedure uden held, eller hvis produktet har brug for service.

## Garantier

2 års fabriksgaranti mod produktionsfejl. Vær opmærksom på, at garantien kun gælder ved fremvisning af kvittering. Garantien er kun gyldig, hvis produktet anvendes i overensstemmelse med instruktionerne og sikkerhedsanvisningerne i denne betjeningsvejledning. Garantien dækker ikke skader, der skyldes forkert håndtering af produktet.



### OBS!

Registrer produktet på [www.warranty-woods.com](http://www.warranty-woods.com), og få del i de fordelagtige tilbud, som Wood's har til netop dit produkt. Du kan få flere oplysninger på [www.woods.se](http://www.woods.se).

## KUNDESERVICE

Brug altid originale dele. Når du kontakter vores kundeservice, skal du sørge for at have følgende parat: Modelbetegnelse, kvittering og serienummer.

Vær opmærksom på, at alle oplysninger, sikkerhedsforskrifter og tekniske data i denne betjeningsvejledning kan ændres.



| TEKNISKE DATA    | Airmaster WOZ100                            | Airmaster WOZ3000           | Airmaster WOZ6000           |
|------------------|---|-----------------------------|-----------------------------|
| Ozonproduktion   | 100 mg/time                                 | 0-3000 mg/time              | 0-6000 mg/time              |
| Blæserkapacitet  | 40 m <sup>3</sup> /time                     | 116 m <sup>3</sup> /time    | 116 m <sup>3</sup> /time    |
| Teknik           | Keramisk plade                              | Keramisk plade              | Keramisk plade              |
| Timer            | -   | Ja                          | Ja                          |
| USB-port         | -   | Ja                          | Ja                          |
| Energiforbrug    | 8 W/12 V DC<br>(100-240V-adapter medfølger) | 34 W/100-230 V              | 38 W/100-230 V              |
| Temperaturområde | +1° C – +35° C                              | +1° C – +35° C              | +1° C – +35° C              |
| Mål (L x B x H)  | 196 x 113 x 85 mm                           | 270 x 180 x 160 mm          | 270 x 180 x 160 mm          |
| Sikring          | -   | 630 mA/250 V                | 630 mA/250 V                |
| Vægt             | 0,79 kg                                     | 2,2 kg                      | 2,3 kg                      |
| Udførelse        | Rustfrit stål                               | Rustfrit stål               | Rustfrit stål               |
| Ekstraudstyr     | Cigaretænderkabel                           | Ozonmåler                   | Ozonmåler                   |
| Sliddele         | Forfilter<br>Keramisk plade                 | Forfilter<br>Keramisk plade | Forfilter<br>Keramisk plade |

\*Der tages forbehold for tekniske ændringer og forbedringer. Alle værdier er omtrentlige og kan variere afhængigt af ydre omstændigheder, såsom temperatur og luftfugtighed.



\*Dette symbol betyder, at produktet ikke må bortskaffes som husholdningsaffald i EU. For at undgå miljø- eller sundhedsskader som følge af ukontrolleret bortskaffelse af affald bedes du genvinde produktet på ansvarlig vis og dermed fremme bæredygtig genbrug af materialeressourcer. Produktet skal afleveres på en genbrugsstation eller hos den forhandler, hvor det er købt. Forhandleren kan aflevere produktet til miljømæssigt forsvarlig genbrug.

# PRODUKTBESCHREIBUNG

## Produktbeschreibung

### A.

1. Griff
2. Filterhalter
3. EIN-/AUS-Taste
4. Netzkabelbuchse
5. Sicherungshalter
6. Digitales Display
7. Einstelltasten

### B.

1. USB-Anschluss

### C.

#### Digitale Steuerung

1. Digitales Display
2. Vorwärts (Erhöhen)
3. Set (Menü)
4. Rückwärts (Senken)

### D.

#### Verschleißteile

1. Vorfilter
2. Keramikplatte

### E.

#### Optionales Zubehör (nicht im Lieferumfang enthalten)

1. Ozonmessgerät (nicht WOZ100)
2. Kabel mit Stecker für Zigarettenanzünder (*nur WOZ100*)

### F.

1. Lüfter
2. Hochspannungsmodul
3. Keramikplatte
4. Löcher zum Aufhängen (Schlüssellöcher)
5. Schnellverbindung

## **VIELEN DANK, DASS SIE SICH FÜR DEN WOOD'S AIRMASTER ENTSCHEIDEN HABEN – EINEN EFFEKTIVEN OZONGENERATOR IN SCHWEDISCHER QUALITÄT.**

Der Wood's Airmaster ist ein Gerät zur Geruchssanierung, das in Schweden hergestellt wird. Dank seiner Edelstahlteile hält das Ozongerät beanspruchenden Betriebsbedingungen viele Jahre lang stand. Schnell und effektiv beseitigt es Bakterien, Viren und Gerüche, die durch Feuchtigkeit, Schimmel, Abfälle, Abwasser, Rauch Haustiere u. a. entstehen.

Der Wood's Airmaster **WOZ100** eignet sich zur Geruchs-beseitigung in Wohnräumen, Büros, Autos, Booten, Wohnwagen und Sanitärbereichen. Kurz gesagt: Überall, wo ein gesundes, frisches Klima wiederhergestellt werden soll.

Ozon dringt auch in Textilien sowie äußerlich in Einrichtungsgegenstände und Tapeten ein.

Der Wood's Airmaster **WOZ3000/6000** eignet sich zur gründlichen Sanierung von Brand- und Wasserschäden.

## **WOOD'S FÜR EIN SAUBERES UND GESUNDES RAUMKLIMA**

Seit über 60 Jahren zeichnet sich Wood's durch beste Qualität, Zuverlässigkeit, hohe Leistung und geringstmöglichen Energieverbrauch aus. Heute wird Wood's vom Hauptsitz des Unternehmens in Alingsås aus in mehr als 19 Länder vertrieben.

## **MITGLIED DER EUROPEAN OZONE TRADE ASSOCIATION (EUOTA) UND MITEIGENTÜMER DES OZON-DOSSIERS VON EUOTA FÜR BIOZID-WIRKSTOFFE.**

Auf diese Weise ist der Wood's Airmaster zukunftssicher und auf künftige Rechtsvorschriften und Biozidbestimmungen vorbereitet.



## **WIE WIRKT EIN OZONGENERATOR?**

Ozon ist eine besondere Form von Sauerstoff. Der sogenannte Aktivsauerstoff wird durch die Zufuhr von elektrischer Energie in einem Ozongenerator gebildet. Ozon wirkt durch Oxidation organischer Substanzen. Geruchsstoffe, Bakterien und Viren werden auf diese Weise effektiv beseitigt. In den allermeisten Fällen bleiben als Endprodukte nur Kohlendioxid und Wasser zurück.

In der Außenluft schwankt die Ozonkonzentration zwischen 0,001 und 0,040 ppm (Parts per million). Das schwedische Amt für Arbeitsschutz hat den Grenzwert auf 0,1 ppm Ozon während einer achtstündigen Exposition am Arbeitsplatz festgelegt. Bei Konzentrationen von etwa 0,015-0,020 ppm wird das Gas als saubere, frische Luft wahrgenommen (wie nach einem Gewitter). Bei 0,050 ppm macht sich das Gas als stechender Geruch bemerkbar, bei 0,1 ppm kann es zu Reizungen von Augen und Rachen führen.

### **BITTE BEACHTEN!**



Vor der Geruchssanierung die Ursache des Problems ermitteln und beheben, ansonsten tritt die Geruchsbelastung erneut auf.

**Ozon ist bei Einatmen schädlich, Ozongeräte sollten deshalb mit Vorsicht eingesetzt werden.**

#### **Wood's Airmaster WOZ100**

Nicht über längere Zeit an Orten einsetzen, an denen sich Menschen oder Tiere aufhalten. Eine kurzzeitige Exposition (unter 5 Minuten) ist unbedenklich.

#### **Wood's Airmaster WOZ3000/6000**

Während des Einsatzes den Raum nicht betreten.

Vor dem Einsatz die Bedienungsanleitung sorgfältig durchlesen.



**SICHERHEITSHINWEISE**

Sicherheitshinweise entnehmen Sie bitte dem hier vorliegenden Handbuch.



Bitte lesen Sie das technische Handbuch.



Bitte lesen Sie die Bedienungsanleitung.

**SICHERHEITSHINWEISE**

Bitte lesen Sie die beiliegenden Anleitungen vor der Installation und dem Einsatz des Geräts sorgfältig durch. Der Hersteller haftet nicht für eine unsachgemäße Installation, die zu Personen- oder Sachschäden führt. Bewahren Sie die Anleitungen zum späteren Nachschlagen in der Nähe des Geräts auf.

**Sicherheit von Kindern und schutzbedürftigen Personen****ACHTUNG**

Gefahr von Verletzungen oder dauerhafter Invalidität.

Kein Kinderspielzeug!

Die gesamte Verpackung für Kinder unzugänglich aufbewahren.

Reinigung und Wartung dürfen nicht von Kindern durchgeführt werden.

**Allgemeine Sicherheit**

Ozongeräte sollten mit Vorsicht eingesetzt werden und an Orten, an denen sich Menschen aufhalten (beispielsweise in Wohnräumen oder Büros),

nicht über längere Zeit. Eine kurzzeitige Exposition, beispielsweise in Müllräumen o. Ä. ist unbedenklich (WOZ100). Das Gerät nicht mit Wasser abspülen und nicht so aufstellen, dass es mit Wasser in Berührung kommt. Bitte beachten Sie die empfohlenen räumlichen Bereiche bei der Anwendung in Räumlichkeiten, in denen sich Personen aufhalten. Bei sämtlichen Instandhaltungs- und Reparaturarbeiten muss das Gerät von der Stromversorgung getrennt werden. Die Nutzung des Geräts muss immer nach dem hier vorliegenden Handbuch erfolgen. Für sonstige Anwendungsweisen wird keine Haftung übernommen.

**SICHERHEITSBESTIMMUNGEN****Installation****ACHTUNG**

Die gesamte Verpackung entfernen und kontrollieren, dass das Produkt nicht beschädigt ist. Bei Beschädigung das Produkt nicht verwenden/installieren.

**Anschluss ans Stromnetz****ACHTUNG**

Brand- und Stromschlaggefahr bei unsachgemäßem Einsatz. Das Gerät muss an eine geerdete Steckdose angeschlossen werden.

Stellen Sie sicher, dass die elektrischen Leistungsdaten auf dem Typenschild mit der Stromversorgung übereinstimmen.

Wenn nicht, wenden Sie sich an einen Elektriker.

Immer eine korrekt installierte, gegen Fehlerströme gesicherte Steckdose nutzen.

Nie eine beschädigte Steckdosenleiste oder ein defektes Verlängerungskabel verwenden.

Darauf achten, dass elektrische Bauteile (z. B. Stecker, Netzkabel) nicht beschädigt sind.

Zum Austausch von elektrischen Bauteilen wenden Sie sich bitte an den autorisierten Kundendienst oder einen Elektriker.

Den Stecker erst nach Abschluss der Installation an die Steckdose anschließen.

Darauf achten, dass der Stecker nach der Installation leicht zugänglich ist.

Niemals am Kabel ziehen, um das Gerät von der Steckdose zu trennen. Zum Abziehen immer am Stecker halten.

**Entsorgung****ACHTUNG**

Das Gerät vom Stromnetz trennen.

Zum Recycling Ihres Geräts nutzen Sie bitte die Rückgabe- und Abholssysteme. Für Informationen zur ordnungsgemäßen Entsorgung Ihres Geräts wenden Sie sich bitte an die zuständige Stelle vor Ort.



## EINSATZ UND WARTUNG DES OZONGERÄTS

### **BITTE BEACHTEN!**

Vor der Geruchssanierung die Ursache des Problems ermitteln und beheben, ansonsten tritt die Geruchsbelastung erneut auf.

Ozon ist bei Einatmen schädlich, Ozongeräte sollten deshalb mit Vorsicht eingesetzt werden.

Das Ozongerät nicht verwenden, wenn sich Personen im Raum aufhalten.

Bei Wood's Airmaster WOZ100 ist eine kurzzeitige Exposition (unter 5 Minuten) unbedenklich.

Bei Wood's Airmaster WOZ3000/6000 darf der zu sanierende Bereich überhaupt nicht betreten werden.

### **Sanierung mit Wood's Airmaster**

#### **1. Vorbereitung:**

Den Raum gründlich reinigen, alle Flächen staubsaugen und abwischen und/oder das Problem, das den Geruch verursacht hat, beheben/beseitigen.

#### **2. Sicherstellen, dass die Sanierung des Bereichs auf sichere Weise erfolgen kann:**

Haustiere und Pflanzen entfernen. Wertvolle, empfindliche Elektrogeräte, z. B. Laptops, und wertvolle Ölgemälde entfernen. Sicherstellen, dass sich keine Personen im Zimmer aufhalten.

#### **3. Ozonsanierung:**

Das Ozongerät in der Raummitte anordnen (am besten auf einer erhöhten Fläche, beispielsweise auf einem Tisch).

Das mitgelieferte Netzkabel an der Netzkabelbuchse (A4) anschließen. Das Ozongerät kann jetzt mit der Ein-/Aus-Taste (A3) eingeschaltet werden. Anschließend den Timer (C) auf die gewünschte Zeit einstellen (Modelle mit Timer).

Es kann bis zu 5 Minuten dauern, bis die volle Leistung erreicht ist.

#### **4. Dauer der Sanierung:**

2-72 Stunden, abhängig von der Geruchsintensität. Die durchschnittliche Sanierungsdauer beträgt 24 Stunden.

Beginnen Sie vorzugsweise mit 4-8 Stunden und wiederholen Sie den Vorgang bei Bedarf.

#### **5. Nach der Ozonsanierung:**

Das Ozongerät ausschalten und die Fenster öffnen. Nach der Sanierung befindet sich noch Ozon in der Luft, das wie Chlor riecht. Das restliche Ozon durch Lüften aus dem Raum entfernen.

Den Raum prüfen. Ist die Geruchsbelastung nach wie vor vorhanden, den Vorgang wiederholen. Alle betroffenen Zimmer müssen separat saniert werden.

### **Bei einer festen Installation**

Das Ozongerät kann mithilfe einer „Schlüssellochlösung“ (F4) an der Unterseite des Ozongeräts an der Wand montiert werden.

Das mitgelieferte Netzkabel an der Netzkabelbuchse (A4) anschließen. Das Ozongerät kann nun mit der Ein-/Aus-Taste (A3) gestartet werden.

### **Anschluss eines Ozonmessgeräts (E1)**

Das Zubehör Ozonmessgerät (E1) wird an den USB-Anschluss (B1) auf der Rückseite angeschlossen.

# EINSATZ UND WARTUNG DES OZONGERÄTS

## Betrieb

Das Ozongerät an einem trockenen Ort mit guter Belüftung aufstellen, vorzugsweise erhöht, ca. 1,5 m über dem Boden. Unbedingt darauf achten, dass die Luftzufuhr zum Lüfter nicht behindert wird.

Das mitgelieferte Netzkabel an die Netzkabelbuchse (A4) anschließen.

Jetzt kann das Ozongerät mit der Ein-/Aus-Taste (A3) eingeschaltet werden. Im Betriebsmodus startet das Ozongerät mit voller Leistung (100 %).

Es kann bis zu 5 Minuten dauern, bis die volle Leistung erreicht ist.

## Gerät einschalten

- Das Ozongerät einschalten.  
Die Ein-/Aus-Taste (A3) auf ON stellen
- Das Ozongerät ausschalten. Die Ein-/Aus-Taste (A3) auf OFF stellen

## Digitale Steuerung

(Gilt für Wood's Airmaster WOZ3000/6000)

Die Ozonmenge/-leistung kann zwischen 0-100 % eingestellt werden. Timer-Modus: 24-Std.-, Intervall- und Abschalt-Timer.

Weitere Hinweise unter „**Digitale Steuerung**“ auf der nächsten Seite.

## Wartung

### HINWEIS!

Vor der Durchführung von Wartungs-/Instandhaltungsarbeiten immer das Netzkabel abziehen.

### Austausch des Vorfilters

Abhängig von den Umgebungsbedingungen muss der Vorfilter alle zwei

bis vier Monate ausgetauscht werden.

- Den Filterhalter (A2) von Hand lösen.
- Den Filter durch einen neuen ersetzen.
- Den Filterhalter (A2) wieder einsetzen.

### Reinigung/Austausch der Keramikplatte

Durch Zufuhr von Hochspannung bildet die Keramikplatte Ozon. Die Keramikplatte sollte regelmäßig mit T-Röd oder Ähnlichem gereinigt werden. Alle Oberflächen mit einem trockenen Tuch abwischen. Sicherstellen, dass alle Komponenten vollständig trocken sind, bevor das Gerät neu gestartet wird. Nimmt die Ozonkonzentration ab oder wird gar kein Ozon mehr gebildet, muss die Keramikplatte ausgetauscht werden.

### A. Bei Ozongeräten mit sichtbaren Gehäuseschrauben an den Längsseiten:

- Alle Schrauben an den Längsseiten des Gehäuses lösen.
- Die Abdeckung des Geräts entfernen.
- Weiter bei Punkt **C**.

### B. Bei Ozongeräten ohne sichtbare Gehäuseschrauben:

- Die beiden Schrauben lösen, die den Griff halten.
- Das Gerät auf den Kopf drehen.
- Die vier Schrauben lösen, die die Gerätefüße halten.
- Zum Entfernen die Gehäuseabdeckung nach vorne ziehen/schieben.
- Weiter bei Punkt **C**.

### C. Die Keramikplatte ersetzen:

- Die Schnellverbindungen (F5) lösen.

### 2a. WOZ100

Die beiden Schrauben lösen, die die Keramikplatte halten (F3).

### 2b. WOZ3000/6000

Die Keramikplatte (F3) aus ihrer Halterung schieben.

- Montage in umgekehrter Reihenfolge.

### HINWEIS!

Keramikplatte und Vorfilter sind Verschleißteile. Sie fallen nicht unter die Garantie.

Alle anderen Wartungs-/Instandsetzungsarbeiten als die hier beschriebenen müssen vom Hersteller oder einem Vertragspartner durchgeführt werden.

## Wartung/Instandsetzung

Wenn das Ozongerät gewartet/instandgesetzt werden muss, wenden Sie sich bitte an Ihren Händler vor Ort. Für sämtliche Garantieansprüche ist der Kaufbeleg vorzulegen.

## Hinweise zur Aufbewahrung

Das Ozongerät bei einer Raumtemperatur zwischen +1 °C und +35 °C aufbewahren.

***Wichtig! Vorfilter und Keramikplatte müssen in regelmäßigen Abständen ausgetauscht werden. Andernfalls kann sich die Leistung des Ozongeräts verschlechtern, und das Ozongerät kann ggf. Schaden nehmen.***

# BETRIEB DES OZONGERÄTS

## Digitale Steuerung

Gilt für Wood's Airmaster WOZ3000/6000

|  |   |
|--|---|
| <b>Pwr 100%</b><br><b>TimerOff</b>   | <b>Normaler Betriebsmodus</b><br>Die Tasten <b>Vorwärts</b> (C2) und <b>Rückwärts</b> (C4) verwenden, um die Ozonerzeugung auf den gewünschten Wert von 1-100 % einzustellen. Der Timer ist ausgeschaltet.  |
| <b>Menu</b>  | <b>Menü</b><br>Auf <b>Set</b> (C3) drücken, um zum Menü zu gelangen. Anschließend mit der Taste <b>Vorwärts</b> (C2) bis zu der Funktion blättern, die geändert werden soll.<br><i>(Sie können das Menü jederzeit verlassen, indem Sie die Set-Taste gedrückt halten.)</i>  |
| <b>Timer Settings</b>  | <b>Timer</b><br>Auf <b>Set</b> (C3) drücken, der eingestellte Timermodus wird angezeigt. Noch einmal auf <b>Set</b> (C3) drücken, der Text beginnt zu blinken. Mit <b>Vorwärts</b> (C2) blättern, bis Sie zur gewünschten Timerfunktion kommen. Auf <b>Set</b> (C3) drücken, um die Funktion auszuwählen.   |
| <b>Mode Off</b>  | <b>Timer ausgeschaltet</b> (Werkseinstellung)   |
| <b>Mode Once</b>   | <b>Abschalt-Timer</b><br>Der Wood's Airmaster ist für die gewünschte Zeit in Betrieb und schaltet sich anschließend aus.<br>Auf <b>Vorwärts</b> (C2) drücken, auf dem Display wird „Set Timer“ (Timer einstellen) angezeigt. Auf <b>Set</b> (C3) drücken, der Text blinkt, die gewünschte Zeit mit <b>Vorwärts</b> (C2) / <b>Rückwärts</b> (C4) einstellen (beispielsweise 15 min: 00:15). Auf <b>Set</b> (C3) drücken, um die Zeit zu bestätigen (das Blinken hört auf). <b>Set</b> (C3) gedrückt halten, um den Timer zu starten und das Menü zu verlassen.<br>Nach Ablauf des Timers wird „TimedOut“ (Zeit abgelaufen) angezeigt. Durch gleichzeitiges Drücken von <b>Vorwärts</b> (C2) und <b>Rückwärts</b> (C4) wird der Timer wieder gestartet. |
| Die Zeit in den nachfolgend beschriebenen Timermodi auf dieselbe Weise einstellen wie unter <b>Abschalt-Timer</b> beschrieben. |   |
| <b>Mode Interval</b>   | <b>Intervall-Timer</b><br>Der Wood's Airmaster wechselt zwischen Einschalt- und Ausschaltintervallen.<br><br>Zunächst die Einschaltzeit „Step on“ einstellen. Auf <b>Vorwärts</b> (C4) drücken. Die Ausschaltzeit „Step off“ einstellen.  |
| <b>Mode Daytimer</b>   | <b>24-Std.-Timer</b><br>Der Wood's Airmaster ist nach der eingestellten Zeit in Betrieb. <b>HINWEIS! Zuerst die Uhrzeit einstellen! (siehe Uhrzeit)</b><br>Die Einschaltzeit 1 „Step on 1“ einstellen. Auf <b>Vorwärts</b> (C2) drücken, die Ausschaltzeit 1 „Step off 1“ einstellen.<br>Die Einschaltzeit 2 „Step on 2“ einstellen. Auf <b>Vorwärts</b> (C2) drücken, die Ausschaltzeit 2 „Step off 2“ einstellen.<br>Die Einschaltzeit 3 „Step on 3“ einstellen. Auf <b>Vorwärts</b> (C2) drücken, die Ausschaltzeit 3 „Step off 3“ einstellen.<br><br>Bleibt eine Position (z. B. 3) leer, d. h. 00:00, ist der Modus deaktiviert.   |
| <b>SetClock 00:00</b>  | <b>Uhrzeit</b><br>Hier stellen Sie die Uhrzeit für den 24-Std.-Timer ein.<br>Auf <b>Set</b> (C3) drücken, die Zahlen blinken. Die gewünschte Uhrzeit mit <b>Vorwärts</b> (C2) und <b>Rückwärts</b> (C4) einstellen. Zur Bestätigung auf <b>Set</b> drücken. (24-Stunden-Backup bei Stromausfall)  |
| <b>B.light On</b>  | <b>Hintergrundbeleuchtung</b><br>Die Hintergrundbeleuchtung des Displays kann ein- oder ausgeschaltet werden.   |
| <b>ExtInput settings</b>   | <b>Anschluss für externe Geräte (USB)</b><br>Der Eingang für externe Geräte (z. B. Ozonmessgeräte) kann aus- oder eingeschaltet werden.<br>Folgende Betriebsmodi können gewählt werden: <b>Ozone Control</b> (Ozonsteuerung) – Ein angeschlossener Ozongenerator kann das Ozongerät steuern, um eine konstante Ozonkonzentration zu erzielen. <b>Ozone Alarm</b> (Ozonalarm) - Wenn ein angeschlossenes Ozonmessgerät ein Leck erkennt, schaltet sich das Gerät ab und löst einen Alarm aus.  |
| <b>Factory reset</b>   | <b>Werkseinstellung</b><br>Zurücksetzen auf die Werkseinstellungen. <b>Achtung! Alle Einstellungen werden gelöscht.</b>   |
| <b>KEYS LOCKED</b>   | <b>Tastensperre</b><br>Die Tasten werden durch Gedrückthalten von <b>Set</b> (C3) und <b>Vorwärts</b> (C2) gesperrt, gleichzeitig wird „KEYS LOCKED“ (Tasten gesperrt) auf dem Display angezeigt. Die Entsperrung erfolgt auf dieselbe Weise.   |

## Fehlersuche und -behebung

| PROBLEM  | URSACHE                                       | ABHILFE  |
|--|---|--|
| Das Gerät startet nicht, und die Ein-/Aus-schalt-Taste leuchtet nicht. | Fehler bei der Stromversorgung.               | Das Gerät an eine funktionierende Steckdose anschließen und einschalten.                                   |
|  | Eine Sicherung ist defekt (WOZ3000/6000).     | Die Sicherung austauschen.   |
|  | Das Netzteil ist defekt (WOZ100).             | Ein anderes Netzteil testen. (Sicherstellen, dass das Netzteil über die passenden Leistungsdaten verfügt). |
| Das Gerät läuft, jedoch mit schlechter Wirkung.                        | Die Keramikplatte ist verschmutzt.            | Die Keramikplatte reinigen.  |
| Das Gerät läuft, erzeugt aber kein Ozon.                               | Die Keramikplatte ist verbraucht oder defekt. | Die Keramikplatte austauschen.   |
| Lautes Lüftergeräusch.   | Vorfilter schmutzig/verstopft.                | Den Filter austauschen.  |
| Das Gerät zeigt ein ungewöhnliches Betriebsverhalten.                  | Die Software ist hängen geblieben.            | Das Gerät auf die Werkseinstellungen zurücksetzen.   |
| Das Gerät ist falsch eingestellt (z. B. der Timer).                    | Das Gerät wurde versehentlich verstellt.      |  |

Wenn Sie die vorstehende Fehlersuche und -behebung durchgegangen sind oder das Gerät repariert werden muss, wenden Sie sich an Ihren Händler vor Ort.

## Garantien

2 Jahre Werksgarantie auf Herstellungsfehler. Bitte beachten: Die Garantie wird nur gegen Vorlage des Kaufbelegs gewährt. Die Garantie gilt nur, wenn das Produkt gemäß den Anleitungen und Sicherheitshinweisen im hier vorliegenden Handbuch eingesetzt wird. Die Garantie deckt keine Schäden ab, die durch unsachgemäße Handhabung des Produkts entstehen.



### HINWEIS!

Registrieren Sie das Produkt auf [www.warranty-woods.com](http://www.warranty-woods.com) und profitieren Sie von günstigen Angeboten für Ihr Produkt. Besuchen Sie [www.woods.se](http://www.woods.se) für weitere Informationen.

## KUNDENSERVICE

Verwenden Sie immer Originalteile.  
Wenn Sie sich an unseren Kundenservice wenden, halten Sie bitte immer Folgendes bereit: Modellbezeichnung, Kaufbeleg und Seriennummer.

Bitte beachten Sie, dass sich alle Informationen, Sicherheitsvorschriften und technischen Daten in diesem Handbuch ändern können.



| TECHNISCHE DATEN    | Airmaster WOZ100  | Airmaster WOZ3000          | Airmaster WOZ6000          |
|---------------------|---|----------------------------|----------------------------|
| Ozonerzeugung       | 100 mg/Std.   | 0 - 3000 mg/Std.           | 0 - 6000 mg/Std.           |
| Lüfterleistung      | 40 m <sup>3</sup> /Std.                                       | 116 m <sup>3</sup> /Std.   | 116 m <sup>3</sup> /Std.   |
| Technologie         | Keramikplatte   | Keramikplatte              | Keramikplatte              |
| Timer               | -   | Ja                         | Ja                         |
| USB-Anschluss       | -   | Ja                         | Ja                         |
| Leistungsaufnahme   | 8 W/12 V DC<br>(100-240 V Netzteil im Lieferumfang enthalten) | 34 W/100-230 V             | 38 W/100-230 V             |
| Temperaturbereich   | +1 °C – +35 °C  | +1 °C – +35 °C             | +1 °C – +35 °C             |
| Abmessungen (LxBxH) | 196x113x85 mm   | 270x180x160 mm             | 270x180x160 mm             |
| Sicherungsparameter | -   | 630 mA/250 V               | 630 mA/250 V               |
| Gewicht             | 0,79 kg   | 2,2 kg                     | 2,3 kg                     |
| Ausführung          | Edelstahl   | Edelstahl                  | Edelstahl                  |
| Optionales Zubehör  | Kabel mit Stecker für Zigarettenanzünder                      | Ozonmessgerät              | Ozonmessgerät              |
| Verschleißteile     | Vorfilter<br>Keramikplatte                                    | Vorfilter<br>Keramikplatte | Vorfilter<br>Keramikplatte |

\*Technische Änderungen und Verbesserungen können vorkommen. Alle Werte sind Richtwerte, die abhängig von den Umgebungsbedingungen wie Temperatur und Luftfeuchtigkeit variieren können.



\*Diese Kennzeichnung weist darauf hin, dass dieses Produkt in der gesamten EU nicht über den Hausmüll entsorgt werden darf. Um Umwelt- oder Gesundheitsschäden durch unsachgemäße Abfallentsorgung zu vermeiden, entsorgen Sie das Produkt bitte auf verantwortungsvolle Weise, um eine nachhaltige Wiederverwendung von Wertstoffen zu fördern. Bitte entsorgen Sie Ihr Gerät über die örtlichen Rücknahme- oder Abholssysteme oder wenden Sie sich an die Verkaufsstelle. Sie können dieses Produkt einem umweltfreundlichen Recycling zuführen.

## DESCRIPTION DU PRODUIT

### *Description du produit*

- A.**
1. Poignée
  2. Porte-filtre
  3. Bouton MARCHÉ/ARRÊT
  4. Connexion au secteur
  5. Porte-fusible
  6. Écran numérique
  7. Boutons de réglage
- B.**
1. Port USB
- C.**
- Commande numérique
1. Écran numérique
  2. Avant (augmenter)
  3. Set (menu)
  4. Arrière (diminuer)
- D.**
- Pièces d'usure
1. Préfiltre
  2. Plaque en céramique
- E.**
- Accessoires supplémentaires (non inclus)
1. Ozonomètre (non valable pour WOZ100)
  2. Câble pour allume-cigare (*uniquement WOZ100*)
- F.**
1. Ventilateur
  2. Module haute tension
  3. Plaque en céramique
  4. Trou pour la suspension (trou de serrure)
  5. Raccord rapide

## MERCI D'AVOIR CHOISI WOOD'S AIRMASTER – UN GÉNÉRATEUR D'OZONE EFFICACE DE QUALITÉ SUÉDOISE

Wood's Airmaster est une unité de désodorisation fabriquée en Suède, équipée de composants en acier inoxydable capables de résister aux difficiles conditions de fonctionnement, année après année. Le générateur d'ozone élimine rapidement et efficacement les bactéries, les virus et les odeurs d'humidité, de moisissure, d'ordures, d'égout, de fumée et d'animaux de compagnie.

Wood's Airmaster **WOZ100** est idéal pour éliminer les odeurs à la maison ou au bureau ainsi que dans la voiture, le bateau, la caravane et les espaces hygiéniques. À tous les endroits où vous souhaitez restaurer un environnement sain et frais.

L'ozone pénètre également dans les textiles et superficiellement dans l'ameublement et le papier peint.

Wood's Airmaster **WOZ3000/6000** est idéal pour effectuer une épuration extrême après des dégâts dus à un incendie ou à une inondation.

### WOOD'S POUR UN AIR INTÉRIEUR PUR ET SAIN

Depuis plus de 60 ans, les produits Wood's se caractérisent par leur qualité optimale, leur fiabilité, leur haute capacité et leur consommation d'énergie minimale. Les produits Wood's sont aujourd'hui distribués dans plus de 19 pays depuis le siège social à Alingsås, Suède.

### MEMBRE DE L'EUROPEAN OZONE TRADE ASSOCIATION (EUOTA) ET COPROPRIÉTAIRE DU DOSSIER OZONE DE L'EUOTA POUR LES SUBSTANCES BIOCIDES ACTIVES.

Wood's Airmaster est donc un appareil à l'épreuve de l'avenir, prêt pour les futures législations et réglementations des biocides.



## COMMENT FONCTIONNE UN GÉNÉRATEUR D'OZONE ?

L'ozone est une forme spéciale d'oxygène, à savoir un oxygène actif, qui est formé par l'apport d'énergie électrique à l'intérieur d'un générateur d'ozone. L'ozone oxyde les substances organiques et élimine ainsi avec efficacité les matières odorantes étrangères, les bactéries et les virus. Dans la plupart des cas, les produits finaux sont uniquement du dioxyde de carbone et de l'eau.

Dans l'air extérieur, la concentration d'ozone varie de 0,001 à 0,040 parties par million (ppm). La Direction nationale suédoise de sécurité et d'hygiène au travail a fixé la valeur limite à 0,1 ppm d'ozone pour 8 heures d'exposition pendant le travail. En cas de concentrations de l'ordre de 0,015-0,020 ppm, le gaz est perçu comme de l'air frais pur (comme après un orage). À 0,050 ppm, le gaz commence à produire une odeur âcre et une concentration de 0,1 ppm risque de causer une irritation dans les yeux et la gorge.

### IMPORTANT !



Localisez la cause de l'odeur et remédiez-y avant d'épurer l'air ; sinon, l'odeur réapparaîtra.

**L'ozone est nocif en cas d'inhalation et le générateur d'ozone doit donc être utilisé avec prudence.**

#### **Wood's Airmaster WOZ100**

L'appareil ne doit pas être utilisé pendant une période prolongée à des endroits où séjournent des personnes ou des animaux. Une brève exposition (moins de 5 minutes) ne pose pas de danger.

#### **Wood's Airmaster WOZ3000/6000**

Ne pénétrez pas dans la zone pendant le traitement.

Lisez attentivement le manuel d'instructions avant l'utilisation.



## AVERTISSEMENTS DE SÉCURITÉ



Reportez-vous à ce manuel d'instructions pour les consignes de sécurité.



Lisez le manuel technique.



Lisez le manuel d'instructions.

## CONSIGNES DE SÉCURITÉ

Lisez attentivement les instructions fournies avant d'installer et d'utiliser l'appareil. Le fabricant n'assume aucune responsabilité pour toute installation incorrecte entraînant des blessures personnelles et des dommages matériels. Conservez toujours les instructions avec l'appareil à des fins de référence future.

### Sécurité des enfants et des personnes vulnérables

#### AVERTISSEMENT

Risque de blessures personnelles ou d'invalidité permanente.

Ne laissez pas les enfants jouer avec l'appareil.

Conservez tous les emballages hors de portée des enfants.

Le nettoyage et l'entretien ne doivent pas être effectués par des enfants.

### Sécurité générale

Le générateur d'ozone doit être utilisé avec prudence et ne pas être utilisé pendant

des périodes prolongées dans des environnements où des personnes séjournent, par exemple les habitations ou les bureaux. Une brève exposition, par exemple dans le local à poubelles ou similaire, ne pose pas de danger (WOZ100). Ne rincez pas l'équipement à l'eau et ne le placez pas de manière à ce qu'il risque d'entrer en contact avec de l'eau.

Respectez les superficies recommandées lors de l'utilisation dans des locaux où des personnes séjournent.

Lors de toute mesure d'entretien et de réparation, coupez la tension vers l'équipement. Toute utilisation de l'équipement doit être conforme à ce manuel. Aucune responsabilité n'est assumée pour toute autre utilisation.

## CONSIGNES DE SÉCURITÉ

### Installation

#### AVERTISSEMENT

Retirez tous les emballages et vérifiez que le produit n'est pas endommagé. N'installez/n'utilisez pas le produit s'il est endommagé.

### Connexion au secteur

#### AVERTISSEMENT

Risque d'incendie et de décharges électriques lors d'une utilisation incorrecte.

L'appareil doit être branché à une prise de terre.

Vérifiez que les informations électriques indiquées sur la plaque signalétique cor-

respondent à l'alimentation électrique. Si ce n'est pas le cas, contactez un électricien.

Utilisez toujours une prise correctement montée, résistante aux chocs.

N'utilisez jamais une rallonge ou multiprise endommagée.

Vérifiez que les composants électriques ne sont pas endommagés (par exemple la fiche ou le cordon d'alimentation).

Contactez le centre d'entretien agréé ou un électricien pour le remplacement des composants électriques.

Ne branchez la fiche dans la prise qu'une fois l'installation terminée.

Vérifiez que la fiche est facilement accessible après l'installation.

Ne tirez pas sur le cordon pour débrancher l'appareil.

Saisissez toujours la fiche pour déconnecter le cordon.

### Mise hors service

#### AVERTISSEMENT

Débranchez l'appareil du secteur.

Pour recycler votre appareil, utilisez les systèmes de reprise et de collecte. Contactez votre commune pour obtenir des informations sur la mise au rebut correcte de l'appareil.



## UTILISATION ET ENTRETIEN DU GÉNÉRATEUR D'OZONE

### **IMPORTANT !**

Localisez la cause de l'odeur et remédiez-y avant d'épurer l'air ; sinon, l'odeur réapparaîtra.

L'ozone est nocif en cas d'inhalation et le générateur d'ozone doit donc être utilisé avec prudence.

N'utilisez pas le générateur d'ozone lorsque des personnes se trouvent dans la pièce.

Pour Wood's Airmaster WOZ100, une exposition de moins de 5 minutes ne pose pas de danger.

Pour Wood's Airmaster WOZ3000/6000, il est absolument interdit de pénétrer dans la zone en cours de traitement.

### **Traitement avec Wood's Airmaster**

#### **1. Préparation :**

Nettoyez soigneusement la pièce, passez l'aspirateur et essuyez toutes les surfaces et/ou réparez/éliminez le problème qui cause l'odeur.

#### **2. Veillez à ce que la zone puisse être traitée en toute sécurité :**

Retirez les plantes et les animaux.  
Retirez les équipements techniques précieux, par exemple les ordinateurs portables et les précieuses peintures à l'huile.  
Vérifiez que personne ne se trouve dans la pièce.

#### **3. Traitement à l'ozone :**

Placez le générateur d'ozone au milieu de la pièce (de préférence sur une surface légèrement surélevée, par exemple une table).  
Branchez le cordon électrique fourni à la prise secteur (A4). Vous pouvez

maintenant démarrer le générateur d'ozone à l'aide du bouton marche/arrêt (A3) et régler la minuterie (C) sur la durée souhaitée (pour les modèles avec minuterie).

L'appareil peut prendre environ 5 minutes pour atteindre la pleine puissance.

#### **4. Durée du traitement :**

2-72 heures, selon l'intensité de l'odeur. La durée de traitement moyenne est de 24 heures.  
Commencez de préférence par 4-8 heures et répétez au besoin.

#### **5. Après le traitement à l'ozone :**

Arrêtez le générateur d'ozone et ouvrez les fenêtres. Après le traitement, il reste de l'ozone dans l'air, qui émet une odeur de chlore. Aérez l'espace pour éliminer l'ozone restant.  
Contrôlez la pièce. Si une odeur indésirable persiste, répétez la procédure. Toutes les pièces atteintes doivent être traitées séparément.

### **En cas d'installation fixe**

Le générateur d'ozone peut être monté au mur grâce à une « solution en trou de serrure » (F4) prévue sur le dessous.

Branchez le cordon électrique fourni à la prise secteur (A4). Vous pouvez maintenant démarrer le générateur d'ozone à l'aide du bouton marche/arrêt (A3).

### **Connexion de l'ozonomètre (E1)**

L'ozonomètre (E1), disponible en accessoire, se branche au port USB (B1) à l'arrière.

## UTILISATION ET ENTRETIEN DU GÉNÉRATEUR D'OZONE

### Utilisation

Placez le générateur d'ozone à un endroit sec disposant d'une bonne aération, de préférence en hauteur, à environ 1,5 m du sol. Il est important que rien n'entrave l'admission d'air vers le ventilateur.

Branchez le cordon électrique fourni à la prise secteur (A4).

Vous pouvez maintenant démarrer le générateur d'ozone à l'aide du bouton marche/arrêt (A3). Il démarre en mode de fonctionnement à pleine puissance (100 %).

L'appareil peut prendre environ 5 minutes pour atteindre la pleine puissance.

### Démarrage de la machine

- Démarrez le générateur d'ozone.  
Appuyez sur l'interrupteur (A3) pour le mettre sur la position ON
- Arrêtez le générateur d'ozone  
Appuyez sur l'interrupteur (A3) pour le mettre sur la position OFF

### Commande numérique avec minuterie

(Valable pour Wood's Airmaster WOZ3000/6000)

La puissance/la quantité d'ozone peut être variée entre 0 et 100 %.

Modes de minuterie : Minuterie 24 heures, à intervalles et d'arrêt.

Voir les instructions à la section « **Commande numérique** » à la page suivante.

### Entretien

#### Remarque !

Débranchez toujours le cordon d'alimentation avant tout entretien.

### Remplacement du préfiltre

Le préfiltre doit être remplacé tous les deux à quatre mois selon l'environnement.

- Desserrez le porte-filtre (A2) à la main.
- Remplacez le filtre par un neuf.
- Remettez en place le porte-filtre (A2).

### Nettoyage/remplacement de la plaque en céramique

Lorsque de la haute tension est ajoutée à la plaque en céramique, de l'ozone est formé. La plaque en céramique doit être nettoyée régulièrement avec de l'alcool dénaturé ou un produit similaire. Essuyez toutes les surfaces à l'aide d'un chiffon sec. Vérifiez que tous les composants sont parfaitement secs avant de redémarrer la machine. Si la concentration d'ozone diminue ou disparaît, la plaque en céramique doit être remplacée.

#### A. Si votre générateur d'ozone comporte des vis de châssis visibles sur les côtés longs :

- Dévissez toutes les vis sur les côtés longs du châssis.
- Retirez le couvercle de la machine.
- Passez au point C.

#### B. Si votre générateur d'ozone ne présente pas de vis de châssis visibles :

- Dévissez les deux vis qui maintiennent la poignée.
- Retournez la machine.
- Dévissez les quatre vis qui maintiennent les pieds de la machine.
- Retirez le couvercle du châssis en le tirant/glissant vers l'avant.
- Passez au point C.

### C. Pour remplacer la plaque en céramique :

- Desserrez les raccords rapides (F5).
- WOZ100  
Dévissez les deux vis qui maintiennent la plaque en céramique (F3).
- WOZ3000/6000  
Sortez la plaque en céramique (F3) de son support.
- Montez dans l'ordre inverse.

#### Remarque !

La plaque en céramique et le préfiltre sont des pièces d'usure et ne sont pas couverts par la garantie.

Tout entretien autre que celui décrit ici doit être effectué par le fabricant ou par un partenaire autorisé.

### Entretien

Si le générateur d'ozone a besoin d'entretien, contactez votre revendeur local. Vous devrez présenter votre reçu lors de toute demande de garantie.

### Instructions de stockage

Remisez le générateur d'ozone à une température ambiante comprise entre +1 °C et +35 °C.

*Il est important de remplacer régulièrement le préfiltre et la plaque en céramique. Sinon, la capacité du générateur d'ozone risque de se détériorer et éventuellement d'être réduite.*

# UTILISATION DU GÉNÉRATEUR D'OZONE

## Commande numérique

Valable pour Wood's Airmaster WOZ3000/6000

|  |  |
|--|--|
| <b>Pwr 100%<br/>TimerOff</b>   | <b>Mode de fonctionnement normal</b><br>Utilisez les boutons <b>avant</b> (C2) et <b>arrière</b> (C4) pour régler la production d'ozone sur la valeur souhaitée, entre 1 et 100 %. La minuterie est désactivée.  |
| <b>Menu</b>  | <b>Menu</b><br>Appuyez sur <b>set</b> (C3) pour entrer dans le menu. Naviguez ensuite avec le bouton <b>avant</b> (C2) jusqu'à la fonction que vous souhaitez modifier. <b>(Vous pouvez toujours quitter le menu en maintenant enfoncé le bouton set.)</b>   |
| <b>Timer<br/>Settings</b>  | <b>Minuterie</b><br>Appuyez sur <b>set</b> (C3); le mode de minuterie réglé est affiché. Appuyez à nouveau sur <b>set</b> (C3); le texte se met à clignoter. À l'aide du bouton <b>avant</b> (C2), naviguez jusqu'à la fonction de minuterie souhaitée. Appuyez sur <b>set</b> (C3) pour sélectionner la fonction.   |
| <b>Mode<br/>Off</b>  | <b>Minuterie désactivée</b> (réglage d'usine)  |
| <b>Mode<br/>Once</b>   | <b>Minuterie d'arrêt</b><br>Wood's Airmaster fonctionne pendant le temps souhaité, puis s'arrête.<br>Appuyez sur <b>avant</b> (C2); « Set Timer » s'affiche à l'écran. Appuyez sur <b>set</b> (C3); le texte clignote. Réglez le temps souhaité avec <b>avant</b> (C2) / <b>arrière</b> (C4) (par ex. 15 min 00:15). Appuyez sur <b>set</b> (C3) pour confirmer le temps (le clignotement cesse). Maintenez enfoncé <b>set</b> (C3) pour démarrer la minuterie et quitter le menu.<br>Lorsque la minuterie est terminée, « TimedOut » s'affiche. Maintenez les boutons <b>avant</b> (C2) et <b>arrière</b> (C4) enfoncés en même temps pour redémarrer la minuterie. |
| Réglez le temps dans les mode de minuterie ci-dessous comme décrit dans <b>Minuterie d'arrêt</b> . |  |
| <b>Mode<br/>Interval</b>   | <b>Minuterie à intervalles</b><br>Wood's Airmaster alterne entre un intervalle de fonctionnement et un intervalle d'arrêt.<br><br>Commencez par régler le temps de fonctionnement, « Step on ». Appuyez sur <b>avant</b> (C4). Réglez le temps d'arrêt, « Step off ».  |
| <b>Mode<br/>Daytimer</b>   | <b>Minuterie 24 heures</b><br>Wood's Airmaster fonctionne selon des heures programmées. <b>Remarque ! Commencez par régler l'horloge ! (Voir Horloge)</b><br>Réglez l'heure de mise en marche 1, « Step on 1 ». Appuyez sur <b>avant</b> (C2) et réglez l'heure d'arrêt 1, « Step off 1 ».<br>Réglez l'heure de mise en marche 2, « Step on 2 ». Appuyez sur <b>avant</b> (C2) et réglez l'heure d'arrêt 2, « Step off 2 ».<br>Réglez l'heure de mise en marche 3, « Step on 3 ». Appuyez sur <b>avant</b> (C2) et réglez l'heure d'arrêt 3, « Step off 3 ».<br><br>Si une position (par ex. 3) est laissée vide, c'est-à-dire 00:00, elle est désactivée.           |
| <b>SetClock<br/>00:00</b>  | <b>Horloge</b><br>Vous pouvez ici régler l'horloge utilisée par la minuterie 24 heures.<br>Appuyez sur <b>set</b> (C3); les chiffres clignotent. Réglez l'heure souhaitée avec <b>avant</b> (C2) et <b>arrière</b> (C4). Appuyez sur <b>set</b> pour confirmer. (Sauvegarde de 24 heures en cas de coupure de courant)   |
| <b>B.light<br/>On</b>  | <b>Rétroéclairage</b><br>Le rétroéclairage de l'écran peut être activé ou désactivé.   |
| <b>ExtInput<br/>settings</b>   | <b>Connexion d'appareils externes (USB)</b><br>Entrée pour des appareils externes, peut être activée ou désactivée.<br>Mode de fonctionnement au choix : <b>Ozone Control</b> - un générateur d'ozone connecté peut commander le générateur afin d'obtenir une concentration d'ozone constante. <b>Ozone Alarm</b> - si un ozonmètre connecté détecte une fuite, la machine s'arrête et émet une alarme.   |
| <b>Factory<br/>reset</b>   | <b>Réglage d'usine</b><br>Réinitialise aux réglages d'usine. <b>Remarque ! Tous les réglages seront supprimés.</b>   |
| <b>KEYS<br/>LOCKED</b>   | <b>Verrouillage des boutons</b><br>Pour verrouiller les boutons, maintenez enfoncés simultanément <b>set</b> (C3) et <b>avant</b> (C2) jusqu'à ce que l'écran affiche « KEYS LOCKED ». Procédez de la même manière pour les déverrouiller.   |

## Recherche de pannes

| PROBLÈME  | CAUSE  | SOLUTION   |
|---|--|--|
| L'appareil ne démarre pas et l'interrupteur n'est pas allumé. | Défaut d'alimentation.                           | Branchez l'appareil à une prise électrique qui fonctionne et mettez-le sous tension.           |
|   | Le fusible est défectueux (WOZ3000/6000).        | Remplacez le fusible.  |
|   | L'adaptateur secteur est défectueux (WOZ100).    | Testez un autre adaptateur secteur (en vérifiant qu'il présente les spécifications adéquates). |
| L'appareil fonctionne mais avec peu de puissance.             | La plaque en céramique est sale.                 | Nettoyez la plaque en céramique.   |
| L'appareil fonctionne mais ne produit pas d'ozone.            | La plaque en céramique est usée ou défectueuse.  | Remplacez la plaque en céramique.  |
| Le ventilateur fait beaucoup de bruit.                        | Le préfiltre est sale/colmaté.                   | Remplacez le filtre.   |
| La machine présente un comportement anormal.                  | La logiciel s'est bloqué.                        | Effectuez une réinitialisation d'usine.  |
| La machine est mal réglée (par ex. minuterie).                | La machine a été réglée de manière accidentelle. |  |

Après avoir effectué la recherche de pannes ci-dessus ou si le produit a besoin d'entretien, contactez votre revendeur local.

## Garanties

2 ans de garantie d'usine contre les défauts de production. Veuillez noter que la garantie n'est valable que sur présentation du reçu. La garantie n'est valable que si le produit est utilisé conformément aux instructions et aux consignes de sécurité présentées dans ce manuel. La garantie ne couvre pas les dommages causés par une utilisation incorrecte du produit.



### Remarque !

Enregistrez votre produit sur [www.warranty-woods.com](http://www.warranty-woods.com) pour profiter des offres avantageuses proposées par Wood's pour votre produit spécifique. Rendez-vous sur [www.woods.se](http://www.woods.se) pour plus d'informations.

## SERVICE CLIENT

Utilisez toujours des pièces d'origine. Lorsque vous contactez notre service client, veuillez à disposer des informations suivantes : Désignation du modèle, reçu et numéro de série.

Veuillez noter que toutes les informations, les consignes de sécurité et les caractéristiques techniques présentées dans ce manuel sont susceptibles d'être modifiées.



## CARACTÉRISTIQUES TECHNIQUES

|                             | <b>Airmaster WOZ100</b>                              | <b>Airmaster WOZ3000</b>         | <b>Airmaster WOZ6000</b>         |
|-----------------------------|--|----------------------------------|----------------------------------|
| Production d'ozone          | 100 mg/heure   | 0–3000 mg/heure                  | 0–6000 mg/heure                  |
| Capacité du ventilateur     | 40 m <sup>3</sup> /heure                             | 116 m <sup>3</sup> /heure        | 116 m <sup>3</sup> /heure        |
| Technique                   | Plaque en céramique                                  | Plaque en céramique              | Plaque en céramique              |
| Minuterie                   | -  | Oui                              | Oui                              |
| Port USB                    | -  | Oui                              | Oui                              |
| Consommation d'énergie      | 8 W/12 V CC<br>(Adaptateur secteur 100-240 V fourni) | 34 W/100-230 V                   | 38 W/100-230 V                   |
| Plage de température        | +1 °C – +35 °C                                       | +1 °C – +35 °C                   | +1 °C – +35 °C                   |
| Dimensions (LxlxH)          | 196x113x85 mm  | 270x180x160 mm                   | 270x180x160 mm                   |
| Paramètre de fusible        | -  | 630 mA T 250 v                   | 630 mA T 250 v                   |
| Poids                       | 0,79 kg  | 2,2 kg                           | 2,3 kg                           |
| Version                     | Acier inoxydable                                     | Acier inoxydable                 | Acier inoxydable                 |
| Accessoires supplémentaires | Câble pour allume-cigare                             | Ozonomètre                       | Ozonomètre                       |
| Pièces d'usure              | Préfiltre<br>Plaque en céramique                     | Préfiltre<br>Plaque en céramique | Préfiltre<br>Plaque en céramique |

\*Des modifications et améliorations techniques peuvent être effectuées. Toutes les valeurs sont approximatives et peuvent varier en fonction des circonstances externes telles que la température et l'humidité de l'air.



\*Ce marquage indique que ce produit ne doit pas être jeté dans les ordures ménagères, dans l'ensemble de l'UE. Pour éviter tout impact négatif sur l'environnement ou la santé des personnes dû à un traitement incontrôlé des déchets, nous vous prions de recycler ce produit de manière responsable afin de promouvoir une réutilisation durable des ressources matérielles. Pour recycler votre unité, utilisez les systèmes de reprise et de collecte ou contactez le revendeur auprès duquel vous avez acheté le produit. Il pourra le faire recycler de manière respectueuse de l'environnement.

# TUOTTEEN KUVAUS

## *Tuotteen kuvaus*

### A.

1. Kahva
2. Suodatinpidike
3. Virtapainike
4. Verkkoliitäntä
5. Sulakkeen pidike
6. Digitaalinäyttö
7. Asetuspainikkeet

### B.

1. USB-portti

### C.

#### Digitaalinen ohjaus

1. Digitaalinäyttö
2. Eteen (lisäys)
3. Set (valikko)
4. Taakse (vähennys)

### D.

#### Kulutuset

1. Esisuodatin
2. Keraaminen levy

### E.

#### Lisävarusteet (Ei sisälly)

1. Otsonimittari (Ei WOZ100)
2. Savukkeensytytinkaapeli (*Vain WOZ100*)

### F.

1. Puhallin
2. Suurjännitemoduuli
3. Keraaminen levy
4. Ripustusreikä (Avaimenreikä)
5. Pikaliitos

## KIITOS, ETTÄ VALITSIT WOOD'S AIRMASTERIN – TEHOKKAAN OTSONAATTORIN, RUOTSALAISTA LAATUA

Wood's Airmaster on ruotsalaisvalmisteinen hajunpoistolaite, jonka ruostumattomasta teräksestä valmistetut osat kestävät vaativia käyttöolosuhteita vuodesta toiseen. Otsonaattori eliminoi nopeasti ja tehokkaasti esimerkiksi kosteuden, homeen, roskien, viemäreiden, savun ja lemmikkien bakteerit, virukset ja hajut.

Wood's Airmaster **WOZ100** sopii hajunpoistoon kotona, toimistossa, autossa, veneessä, matkailuvaunussa, jätehuoneessa ja hygieniatiloissa. Kaikkialla, missä tahansa haluat palauttaa terveellisen ja raikkaan ympäristön.

Otsoni tunkeutuu myös tekstiileihin ja pinnallisesti sisustukseen ja tapetteihin.

Woodin Airmaster **WOZ3000/6000** soveltuu äärimmäiseen puhdistukseen tulipalon ja vesivaurion jälkeen.

## WOOD'S TARJOAA PUHDASTA JA TERVEELLISTÄ SISÄILMAA

Wood's on tunnettu yli 60 vuoden ajan erinomaisesta laadusta, luotettavuudesta, suuresta kapasiteetista ja pienimmästä mahdollisesta energiankulutuksesta. Nykyään Wood'sia toimitetaan yli 19 maahan sen pääkonttorista Alingsåsista.

## EUROPEAN OZONE TRADE ASSOCIATION (EUOTA) JÄSEN JA EUOTAN BIOSIDEJA KOSKEVAN OTSONIASIAKIRJAN OSAOMISTAJA.

Tämä tekee Wood's Airmasterista tulevaisuudenkestävän ja valmiin tuleviin lainsäädäntöihin ja biosidiasetuksiin.



## MITEN OTSONAATTORI TOIMII?

Otsoni on erityinen hapen muoto, ns. aktiivinen happi, joka muodostetaan sähköenergian avulla otsonaattorin sisällä. Otsoni toimii hapettamalla orgaanisia aineita ja poistamalla näin tehokkaasti vieraita hajuaaineita sekä bakteereja ja viruksia. Useimmissa tapauksissa lopputuotteena tulee ainoastaan hiilidioksidia ja vettä.

Ulkoilmassa on 0,001–0,040 miljoonasosaa (ppm) otsonia. Työturvallisuus- ja työterveyslaitos on asettanut altistuksen raja-arvoksi 0,1 ppm otsonia 8 tunnin työn aikana. Noin 0,015–0,020 ppm:n pitoisuuksilla kaasu koetaan puhtaana raittiina ilmana (kuten ukkosen jälkeen). 0,050 ppm:n pitoisuudessa kaasu alkaa muodostaa hajua, ja 0,1 ppm:n pitoisuus voi aiheuttaa silmien ja kurkun ärsytystä.

### TÄRKEÄÄ!



Etsi ja korjaa hajuongelman aiheuttaja ennen hajunpoistoa. Muussa tapauksessa haju tulee takaisin.

**Otsoni on haitallista hengittää, ja siksi otsonaattoria on käytettävä varoen.**

#### **Wood's Airmaster WOZ100**

Ei saa käyttää pitkiä aikoja tiloissa, joissa ihmiset tai eläimet oleskelevat. Lyhyt altistus (alle 5 minuuttia) on vaaratonta.

#### **Wood's Airmaster WOZ3000/6000**

Tilaa ei saa käyttää käsittelyn aikana.

Lue käyttöohje huolellisesti ennen käyttöä.



**TURVALLISUUSVAROITUKSET**

Katso turvallisuusohjeet tästä käyttöohjeesta.



Lue tekninen käyttöohje



Lue käyttöohje.

**TURVALLISUUSTIEDOT**

Lue annetut ohjeet huolellisesti ennen laitteen asentamista ja käyttöä.

Valmistaja ei vastaa virheellisestä asennuksesta, joka aiheuttaa henkilö- ja materiaalivahinkoja. Säilytä ohjeet aina laitteen kanssa myöhempää käyttöä varten.

**Lasten ja altistuvien henkilöiden turvallisuus****VAROITUS**

Henkilövahinkojen tai pysyvien vammojen riski. Älä anna lasten leikkiä laitteella.

Säilytä kaikki pakkaukset poissa lasten ulottuvilta. Lapset eivät saa puhdistaa ja huoltaa laitetta.

**Yleinen turvallisuus**

Otsonaattoria on käytettävä varoen eikä sitä saa käyttää pitkiä aikoja ympäristöissä, joissa ihmiset oleskelevat, esim. kotona tai toimistossa. Lyhyt altistuminen on vaaratonta esimerkiksi jätehuoneissa ja vastaavassa (WOZ100).

Älä huuhtele laitetta vedellä tai aseta sitä siten, että se joutuu kosketuksiin veden kanssa. Huomioi suositellut huonekoot, kun niitä käytetään tiloissa, joissa ihmiset oleskelevat. Laitteen jännite on katkaistava kaikkien huolto- ja korjaustöiden ajaksi. Laitetta on käytettävä kaikissa tilanteissa tämän käyttöohjeen mukaisesti. Mistään muusta käytöstä ei olla vastuussa.

**TURVALLISUUSMÄÄRÄYKSET****Asennus****VAROITUS**

Poista kaikki pakkaukset ja tarkista, ettei tuote ole vahingoittunut. Älä käytä/asenna tuotetta, jos se on vaurioitunut.

**Liitäntä verkkovirtaan****VAROITUS**

Tulipalon ja sähköiskun vaara käytettäessä väärin. Laitte on kytkettävä maadoitettuun pistorasiaan. Varmista, että arvokilven sähkötiedot vastaavat virtalähdettä. Jos näin ei ole, ota yhteys sähköasentajaan. Käytä aina oikein asennettua, iskunkestävää pistorasiaa. Älä koskaan käytä vaurioitunutta pistorasiaa tai jatkojohtoa. Varmista, että sähkökomponentit eivät ole vahingoittuneet (esim. pistoke, virtajohto).

Ota yhteys valtuutettuun huoltoliikkeeseen tai sähköasentajaan sähkökomponenttien vaihtamiseksi.

Kytke pistoke pistorasiaan vasta, kun asennus on valmis. Varmista asennuksen jälkeen, että pistokkeeseen on helppo pääsy.

Älä irrota laitetta pistorasiasta vetämällä johdosta. Pidä aina kiinni pistokkeesta, kun irrotat johdon pistorasiasta.

**Hävittäminen****VAROITUS**

Irrota laite verkkovirrasta. Käytä laitteen kierrättämiseen palautus- ja keräysjärjestelmiä. Ota yhteyttä kuntaasi saadaksesi lisätietoja laitteen asianmukaisesta hävittämisestä.



# OTSONAATTORIN KÄYTTÖ JA KUNNOSSAPITO

## **TÄRKEÄÄ!**

Etsi ja korjaa hajuongelman aiheuttaja ennen hajunpoistoa. Muussa tapauksessa haju tulee takaisin.

Otsoni on haitallista hengittää, ja siksi otsonaattoria on käytettävä varoen.

Älä käytä otsonaattoria, kun ihmisiä oleskelee tilassa.

Wood's Airmaster WOZ100:n osalta lyhyt alle 5 minuutin altistuminen on vaaratonta.

Wood's Airmaster WOZ3000/6000:n osalta käsiteltävälle alueelle ei saa mennä lainkaan.

## **Käsittely Wood's Airmasterilla**

### **1. Valmistelut:**

Puhdista huone huolellisesti, imuroi ja pyyhi kaikki pinnat ja/tai korjaa/poista hajun aiheuttanut ongelma.

### **2. Varmista, että alue on turvallinen käsitellä:**

Poista lemmikit ja kasvit. Poista arvokkaat tekniset laitteet, esim. kannettavat tietokoneet, ja arvokkaat öljyvärimalaukset. Varmista, ettei huoneessa ole ketään.

### **3. Otsonikäsittely:**

Aseta otsonaattori huoneen keskelle (mieluiten hieman korotetulle pinnalle, esim. pöydälle). Kytke toimitettu virtajohto pistorasiaan (A4). Otsonaattori voidaan nyt käynnistää virtapainikkeella (A3) ja ajastin (C) asettaa haluttuun aikaan (ajastimella varustetut mallit). Täyden tehon saavuttaminen voi kestää jopa noin 5 minuuttia.

### **4. Käsittelyn pituus:**

2-72 tuntia hajun voimakkuudesta riippuen. Käsittelyn keskimääräinen kesto on 24 tuntia. Aloita mieluiten 4-8 tunnilla ja toista tarvittaessa.

### **5. Otsonikäsittelyn jälkeen:**

Sammuta otsonaattori ja avaa ikkunat. Käsittelyn jälkeen ilmassa on otsonia, joka haisee kloorilta. Tuuleta jäljellä oleva otsoni tilasta. Tarkista huone. Jos ei-toivottu haju jatkuu, toista toimenpide. Kaikki huoneet on käsiteltävä erikseen.

## **Kiinteä asennus**

Otsonaattori voidaan asentaa seinälle otsonaattorin pohjassa olevan "avaimenreiän" (F4) avulla.

Kytke toimitettu virtajohto pistorasiaan (A4). Otsonaattori voidaan nyt käynnistää virtapainikkeella (A3).

## **Otsonimittarin (E1) liittäminen**

Lisävarusteena saatava otsonimittari (E1) liitetään takasivulla olevaan USB-porttiin (B1).

# OTSONAATTORIN KÄYTTÖ JA KUNNOSSAPITO

## Käyttö

Sijoita otsonaattori kuivaan paikkaan, jossa on hyvä ilmanvaihto, mieluiten korkealle noin 1,5 m lattian yläpuolelle. On tärkeää, ettei mikään estä ilman pääsyä puhaltimeen.

Kytke toimitettu virtajohto pistorasiaan (A4).

Otsonaattori voidaan nyt käynnistää virtapainikkeella (A3). Otsonaattori käynnistyy täydellä teholla (100 %).

Täyden tehon saavuttaminen voi kestää jopa noin 5 minuuttia.

## Koneen käynnistäminen

- Käynnistä otsonaattori.  
Paina virtapainike (A3) ON-asentoon
- Otsonaattorin sammuttaminen  
Paina virtapainike (A3)  
OFF-asentoon

## Digitaalinen ohjaus ajastimella

(Koskee Wood's Airmaster WOZ3000/6000:tta)

Otsonimäärää/tehoa voidaan säätää välillä 0-100 %.

Ajastintilat: Vuorokausi-, intervalli- ja sammutusajastin.

Katso lisäohjeet kohdasta "Digitaalinen ohjaus" seuraavalla sivulla.

## Kunnossapito

### HUOM!

Irrota virtajohto pistorasiasta aina ennen huoltoa / kunnossapitoa.

### Esisuodattimen vaihtaminen

Esisuodatin on vaihdettava 2 - 4 kuukauden välein ympäristön mukaan.

- Löysää suodatinpidike (A2) käsin.

- Vaihda suodatin uuteen.
- Aseta suodatinpidike (A2) takaisin paikalleen.

### Keraamisen levyn puhdistaminen/ vaihtaminen

Kun otsoniputkeen kytketään suurjännite, muodostuu otsonia. Keraaminen levy on puhdistettava säännöllisesti t-punaisella tai vastaavalla. Pyyhi kaikki pinnat kuivalla liinalla. Varmista ennen koneen käynnistämistä uudelleen, että kaikki osat ovat täysin kuivia. Jos otsonipitoisuus laskee tai lakkaa kokonaan, otsoniputki on vaihdettava.

### A. Jos otsonaattorin pitkillä sivuilla on näkyviä runkoruuveja:

- Irrota kahdeksan ruuvia rungon pitkiltä sivuilta.
- Nosta koneen kansi pois.
- Siirry kohtaan C.

### B. Jos otsonaattorissa ei ole näkyviä runkoruuveja:

- Irrota kahvan kaksi kiinnitysruuvia.
- Käännä kone ylösalaisin.
- Löysää koneen jalkojen neljä kiinnitysruuvia.
- Irrota rungon kansi vetämällä/ työntämällä sitä eteenpäin.
- Siirry kohtaan C.

### C. Vaihda keraaminen levy:

- Löysää pikaliittimiä (F5).  
2a. WOZ100  
Löysää kaksi ruuvia, jotka pitävät keraamista levyä (F3) paikallaan.  
2b. WOZ3000/6000  
Liu'uta keraaminen levy (F3) ulos pidikkeestään.
- Asenna päinvastaisessa järjestyksessä.

### HUOM!

Otsoniputki ja esisuodatin ovat kulutusosia, eivätkä ne kuulu takuun piiriin.

Valmistajan tai valtuutetun kumppanin on suoritettava kaikki muut kuin tässä kuvatut huollot.

## Huolto

Jos otsonaattoria tarvitsee huoltoa, ota yhteys paikalliseen jälleenmyyjään. Kuitti on esitettävä kaikkien takuuvaatimusten yhteydessä.

## Säilytysohjeet

Säilytä otsonaattoria huoneenlämmössä +1°C - +35°C.

*On tärkeää vaihtaa esisuodatin ja otsoniputki säännöllisesti. Muussa tapauksessa otsonaattorin kapasiteetti voi huonontua ja mahdollisesti vaurioitua.*

# OTSONAATTORIN KÄYTTÖ

## Digitaalinen ohjaus

Koskee Wood's Airmaster WOZ3000/6000:tta

|  |  |
|--|--|
| <b>Pwr 100%<br/>TimerOff</b>   | <b>Normaali toimintatila</b><br>Aseta <b>eteenpäin</b> (C2) ja <b>taaksepäin</b> (C4) näppäimillä otsonituotanto haluttuun arvoon 1-100 %. Ajastin on pois päältä.   |
| <b>Menu</b>  | <b>Valikko</b><br><b>Siirry valikkoon painamalla set</b> (C3). Vieritä sitten näppäintä <b>eteenpäin</b> (C2), kunnes pääset muutettavaan toimintoon. <i>(Voit aina poistua valikosta pitämällä asetuspainiketta painettuna.)</i>  |
| <b>Timer<br/>Settings</b>  | <b>Ajastin</b><br>Paina <b>set</b> (C3), asetettava ajastintila tulee näkyviin. Paina vielä kerran <b>set</b> (C3) ja teksti alkaa vilkkua. Vieritä <b>eteenpäin</b> (C2), kunnes löydät haluamasi ajastintoinnin. Siirry valikkoon painamalla <b>set</b> (C3) valitaksesi toiminnon.  |
| <b>Mode<br/>Off</b>  | <b>Ajastin pois päältä</b> (tehdasasetus)  |
| <b>Mode<br/>Once</b>   | <b>Sammutusajastin</b><br>Wood's Airmaster toimii halutussa ajan ja sammuu sitten.<br>Paina <b>eteenpäin</b> (C2), "Set timer" ilmestyy näyttöön. Paina <b>set</b> (C3), teksti vilkkuu, aseta haluttu aika <b>eteenpäin</b> (C2) / <b>taaksepäin</b> (C4) (Teksti 15 min 00:15). Aseta aika painamalla <b>set</b> (C3) (lakkaa vilkkumasta). Pidä <b>set</b> (C3) painettuna ajastimen käynnistämiseksi ja poistu valikosta.<br>Kun ajastin on valmis, "TimedOut" näkyy. Pidä painettuna <b>eteenpäin</b> (C2) ja <b>taaksepäin</b> (C4) samanaikaisesti ja ajastin käynnistyy uudelleen. |
| Aseta aika seuraavissa ajastintiloissa <b>sammutusajastimen</b> ohjeiden mukaisesti. |  |
| <b>Mode<br/>Interval</b>   | <b>Intervalliajastin</b><br>Wood's Airmaster vuorottelee operaation ja suljetun aikavälin välillä.<br><br>Aseta ensin käyttöaika "Step on". Paina <b>eteenpäin</b> (C4). Aseta sammutusaika "Step off".  |
| <b>Mode<br/>Daytimer</b>   | <b>Päivittäinen ajastin</b><br>Wood's Airmaster toimii asetetun ajan mukaan. <b>HUOMAUTUS! Aseta kello ensin! (katso Kello)</b><br>Aseta käynnistysaika 1 "Step on 1". Paina <b>eteenpäin</b> (C2) ja aseta sammutusaika 1 "Step off 1".<br><b>Aseta käynnistysaika 1 "Step on 2". Paina eteenpäin (C2) ja aseta sammutusaika 2 "Step off 2".</b><br><b>Aseta käynnistysaika 3 "Step on 3". Paina eteenpäin (C2) ja aseta sammutusaika 3 "Step off 3".</b><br><br><b>Jos asento (esim. 3) jätetään tyhjäksi eli 00.00, tila ei ole käytössä.</b>   |
| <b>SetClock<br/>00:00</b>  | <b>Kello</b><br>Tässä voit asettaa päivittäisen ajastimen käyttämän kellon.<br>Paina <b>set</b> (C3), numerot vilkkuvat. Aseta haluttu aika <b>eteenpäin</b> (C2) ja <b>taaksepäin</b> (C4)- näppäimillä. Vahvista painamalla <b>set</b> . (24 tunnin varajärjestelmä sähkökatkoksen sattuessa)  |
| <b>B.light<br/>On</b>  | <b>Taustavalo</b><br>Näytön taustavalo voidaan kytkeä päälle tai pois päältä.  |
| <b>ExtInput<br/>settings</b>   | <b>Kytchentä ulkoiseen laitteeseen (USB)</b><br>Ulkoisten laitteiden (esim. otsonimittarin) tulo voidaan kytkeä pois päältä tai päälle.<br>Toimintatila voidaan valita: <b>Ozone Control</b> - Liitetty otsonaattori voi ohjata otsonaattoria tasaisen otsonipitoisuuden säilyttämiseksi. <b>Ozone Alarm</b> - Jos liitetty otsonimittari havaitsee vuodon, laite kytkeytyy pois päältä ja hälyttää.   |
| <b>Factory<br/>reset</b>   | <b>Tehdasasetus</b><br>Palauttaa tehdasasetukset. <b>HUOMAUTUS! Kaikki asetukset poistetaan.</b>   |
| <b>KEYS<br/>LOCKED</b>   | <b>Näppäinlukko</b><br>Painikkeet lukitaan pitämällä <b>set</b> (C3) ja <b>eteenpäin</b> (C2) samanaikaisesti, kunnes "KEYS LOCKED" ilmestyy näyttöön. Avataan samalla tavalla.  |

## Vianmääritys

| ONGELMA                                    | SYY                                   | TOIMINTA   |
|--|---------------------------------------|--|
| Laite ei käynnisty eikä virtapainike syty. | Virtalähteessä on vika.               | Kytke laite toimivaan pistorasiaan ja käynnistä se.                          |
|  | Sulake on rikki (WOZ3000/6000).       | Vaihda sulake.   |
|  | Verkkosovitin on rikki (WOZ100).      | Testaa toinen virtalähde (Varmista, että sovittimen spesifikaatio on oikea). |
| Laite toimii, mutta huono vaikutus.        | Keraaminen levy on likainen.          | Puhdista keraaminen levy.  |
| Laite toimii, mutta ei tuota otsonia.      | Keraaminen levy on kulunut tai rikki. | Vaihda keraaminen levy.  |
| Tuuletin pitää kovaa ääntä.                | Esisuodatin likainen / tukossa.       | Vaihda suodatinta.   |
| Kone käyttäytyy oudosti.                   | Ohjelmisto on jumissa.                | Palauta tehdasasetukset.   |
| Laite on asetettu väärin (esim. ajastin).  | Kone on asetettu huolimattomasti.     |  |

Kun olet käynyt läpi edellä mainitun vianmäärityksen tai jos tuote tarvitsee huoltoa, ota yhteyttä paikalliseen jälleenmyyjään.

## Takuu

2 vuoden tehdastakuu tuotantovirheiden varalta. Huomaa, että takuu on voimassa vain kuitin esittämisen yhteydessä. Takuu on voimassa vain, jos tuotetta käytetään tämän käyttöohjeen ohjeiden ja turvallisuusvaroitusten mukaisesti. Takuu ei kata tuotteen virheellisestä käsittelystä aiheutuvia vaurioita.



### HUOM!

Rekisteröi tuote osoitteessa [www.warranty-woods.com](http://www.warranty-woods.com) ja hyödynnä Wood´sin edulliset tarjoukset, jotka tarjoamme tuotteellesi. Lisätietoja osoitteessa [www.woods.se](http://www.woods.se).

## ASIAKASPALVELU

Käytä aina alkuperäisiä osia. Kun otat yhteyttä asiakaspalveluumme, varmista, että sinulla on seuraavat käytettävissä: Mallikilpi, kuitti ja sarjanumero.

Huomaa, että kaikki tämän käyttöoppaan tiedot, turvallisuusmääräykset ja tekniset tiedot voivat muuttua.



| TEKNISEET TIEDOT        | Airmaster WOZ100                             | Airmaster WOZ3000              | Airmaster WOZ6000              |
|-------------------------|--|--------------------------------|--------------------------------|
| Otsonin tuotanto        | 100 mg/tunti                                 | 0–3000 mg/tunti                | 0–6000 mg/tunti                |
| Puhaltimen kapasiteetti | 40 m <sup>3</sup> /tunti                     | 116 m <sup>3</sup> /tunti      | 116 m <sup>3</sup> /tunti      |
| Tekniikka               | Keraaminen levy                              | Keraaminen levy                | Keraaminen levy                |
| Ajastin                 | -  | Kyllä                          | Kyllä                          |
| USB-portti              | -  | Kyllä                          | Kyllä                          |
| Energiankulutus         | 8 W/12 V DC<br>(Mukana 100-240V verkkolaite) | 34 W/100-230 V                 | 38 W/100-230 V                 |
| Lämpötila-alue          | +1°C - +35°C                                 | +1°C - +35°C                   | +1°C - +35°C                   |
| Mitat (PxLxK)           | 196x113x85 mm                                | 270x180x160 mm                 | 270x180x160 mm                 |
| Suojausparametri        | -  | 630mAT 250v                    | 630mAT 250v                    |
| Paino                   | 0,79 kg                                      | 2,2 kg                         | 2,3 kg                         |
| Ulkoasu                 | Ruostumaton teräs                            | Ruostumaton teräs              | Ruostumaton teräs              |
| Lisävarusteet           | Tupakansytyttimen kaapeli                    | Otsonimittari                  | Otsonimittari                  |
| Kulumisosat             | Esisuodatin<br>Keraaminen levy               | Esisuodatin<br>Keraaminen levy | Esisuodatin<br>Keraaminen levy |

\*Teknisiä muutoksia ja parannuksia voi esiintyä. Kaikki arvot ovat likimääräisiä ja voivat vaihdella riippuen ulkoisista olosuhteista, kuten lämpötilasta ja kosteudesta.



\*Tämä merkintä osoittaa, että tätä tuotetta ei saa hävittää kotitalousjätteen mukana koko EU:ssa. Valvomattoman jätehuollosta ympäristölle tai ihmisten terveydelle aiheutuvien vahinkojen estämiseksi pyydämme sinua kierrättämään tuotteen vastuullisesti, jotta voidaan edistää materiaaliressurssien kestävä uudelleenkäyttöä. Kierrätä laite käyttämällä palautus- ja keräysjärjestelmiä tai ota yhteyttä jälleenmyyjään, jolta tuote on ostettu. He voivat toimittaa tämän tuotteen ympäristön kannalta turvalliseen kierrätykseen.

# VÖRULÝSING

## Vörulýsing

### A.

1. Handfang
2. Síuhaldari
3. Á/AF hnappur
4. Nettenging
5. Hólf fyrir öryggi
6. Stafrænn skjár
7. Stíllihnappar

### B.

1. USB-gátt

### C.

#### Stafræn stýring

1. Stafrænn skjár
2. Áfram (auka)
3. Stilla (valmynd)
4. Aftur á bak (minnka)

### D.

#### Slithlutir

1. Forsía
2. Keramikplata

### E.

#### Aukabúnaður (fylgir ekki)

1. Ósonmælir (ekki WOZ100)
2. Kveikjarasnúra (*aðeins WOZ100*)

### F.

1. Vifta
2. Háspennueining
3. Keramikplata
4. Göt fyrir upphengingu (Skráargat)
5. Hraðtengi

## ÞAKKA ÞÉR FYRIR AÐ VELJA WOOD'S AIRMASTER – ÖFLUGT SÆNSKT GÆÐA ÓSONTÆKI

Wood's Airmaster er ósontæki til lofthreinsunar smíðað í Svíþjóð úr ryðfríum hlutum og stenst erfiðar rekstraraðstæður árum saman. Ósontækið eyðir bæði hratt og örugglega sýklum, veirum og óþef af t.d. raka, myglu, sorpi, skólpi, reyk og gæludýrum.

Wood's Airmaster **WOZ100** tækin henta vel til að fjarlægja óþef af heimili, skrifstofu, bíl, bát, hjólhýsi og bað- og þvottaherbergjum. Alls staðar þar sem þú vilt hafa heilbriggt og ferskt umhverfi.

Ósonið þrengir sér líka inn í tauefni og yfirborð innréttinga og veggfóðurs.

Wood's Airmaster **WOZ3000/6000** hentar vel til stórhreingerninga eftir bruna- og vatnsskemmdir.

## WOOD'S TRYGGIR HREINT OG HEILBRIGT INNILOFT

Wood's hefur í rúm 60 ár framleitt áreiðanlegar hágæðavörur með mikilli afkastagetu og minnstu mögulegu orkunotkun. Tækin frá Wood's eru nú á boðstólum í um 20 löndum en höfuðstöðvar fyrirtækisins eru í Alingsås.

## MEÐLIMUR Í EUROPEAN OZONE TRADE ASSOCIATION (EUOTA) OG ÞÁTTAKANDI Í OZONE-DOSSIER EUOTA UM VIRK SÆFIEFNI.

Þess vegna er Wood's Airmaster öruggur búnaður til framtíðar litið og búinn undir síðari löggjöf og reglugerðningu um sæfiefni.



## HVERNIG VIRKAR ÓSONEYÐANDI TÆKI?

Óson er svokallað virkt súrefni og myndast með aðkomu raforku inni í ósontækinu. Óson virkar með því að oxalífræn efni og fjarlægir þannig á skilvirkan hátt framandi lyktarefni en einnig sýkla og veirur. Í langflestum tilvikum myndast aðeins koltvísýringur og vatn.

Í útilofti er styrkur ósons á bilinu frá 0,001 - 0,040 hlutar á hverja milljón (ppm). Vinnuverndareftirlitið hefur sett mörkin við 0,1 ppm óson við 8 klukkustunda váhrif við vinnu. Við styrk á bilinu 0,015 - 0,020 ppm skynjar fólk ósonið sem hreint ferskt loft (eins og eftir þrumuveður). Við 0,050 ppm fer ósonlyktin að vera óþægileg og við 0,1 ppm fer fólk að finna fyrir ertingu í augum og hálsi.

### MIKILVÆGT!



Finndu og bregstu við því sem veldur óþefnum áður en loftið er hreinsað, annars kemur hann bara aftur.

**Það er hættulegt að anda að sér ósoni og því skal nota ósontækið með varkárni.**

#### **Wood's Airmaster WOZ100**

Má ekki nota í lengri tíma þar sem fólk eða dýr dvelja. Skammvinn útsetning (minna en 5 mínútur) er skaðlaus.

#### **Wood's Airmaster WOZ3000/6000**

Ekki skal farið inn í rýmið á meðan loftið er hreinsað.

Lestu notendahandbókina vandlega fyrir notkun.



## ÖRYGGISVIÐVARANIR



Sjá þessa handbók varðandi öryggisupplýsingar.



Lestu tæknihandbókina



Lestu notendahandbókina.

## ÖRYGGISUPPLÝSINGAR

Lestu meðfylgjandi leiðbeiningar vandlega áður en þú setur tækið upp og tekur það í notkun. Framleiðandinn tekur ekki á sig neina ábyrgð vegna rangrar uppsetningar sem veldur meiðslum á fólki og efnislegum skemmdum. Ávallt skal varðveita leiðbeiningarnar með tækinu til notkunar síðar.

## Öryggi barna og viðkvæmra einstaklinga

### VIÐVÖRUN

Hætta á líkamstjóni eða varanlegri fötlun.

Ekki leyfa börnum að leika sér með tækið.

Geymið allar umbúðir þar sem börn ná ekki til.

Börn mega hvorki annast þrif né viðhald tækisins.

### Almenn öryggisatriði

Ósontæki skal nota af varúð og ekki lengi í einu í umhverfi þar sem fólk dvelur, t.d. á heimilum eða skrifstofum. Skammvinn útsetning er skaðlaus, svo

sem í ruslageymslum og þess háttar (WOZ100).

Skolið búnaðinn ekki með vatni og setjið hann ekki upp þannig að hann komist í snertingu við vatn.

Virða skal ráðlagðar stærðir rýma þegar tækið er notað í húsnæði þar sem fólk dvelur. Við alla þjónustu og viðgerðir þarf að rjúfa rafstraum í tækið. Tækið skal að öllu leyti nota í samræmi við þessa handbók. Engin ábyrgð er tekin á allri annarri notkun.

## ÖRYGGISRÁÐSTAFANIR

### Uppsetning

#### VIÐVÖRUN

Fjarlægðu allar umbúðir og gættu að því hvort tækið sé óskemmt. Ekki nota/setja upp tækið ef það er skemmt.

### Tenging við rafkerfið

#### VIÐVÖRUN

Hætta á bruna og rafhöggi við ranga notkun.

Tækið verður að vera tengt við jarðtengda innstungu.

Gættu þess að rafmagnsupplýsingar á merkiplötu samsvari aflgjafa. Ef ekki, hafðu þá samband við rafvirkja.

Notaðu alltaf rétt uppsetta og höggvarða innstungu.

Notaðu aldrei skemmt fjöltengi eða framlengingarsnúru.

Gættu þess að rafíhlutir séu óskemmdir (t.d. kló og rafleiðsla).

Hafðu samband við viðurkennda þjónustumiðstöð eða rafvirkja til að skipta um rafmagnsíhluti.

Settu klóna ekki í samband við rafmagn fyrr en uppsetningu er lokið.

Gættu þess að auðvelt sé að komast að klónni eftir uppsetningu.

Kiptu ekki í snúruna til að aftengja tækið. Taktu alltaf um klóna þegar þú tekur snúruna úr sambandi.

## Förgun

### VIÐVÖRUN

Taktu tækið úr sambandi við rafmagn.

Notaðu förgunar- og sorpþjónustu sveitarfélagsins til að láta endurnýta tækið.

Leitaðu ráða hjá sveitarfélaginu um hvernig farga skuli tækinu rétt.



## NOTKUN OG VIÐHALD ÓSONTÆKISINS

### MIKILVÆGT!

Finndu og bregstu við því sem veldur óþefnum áður en loftið er hreinsað, annars kemur hann bara aftur.

Það er hættulegt að anda að sér óson og því ætti aðeins að nota ósontækið af varkárni.

Notið ekki ósontækið þegar fólk er í rýminu.

Skammvinn útsetning vegna Wood's Airmaster WOZ100 í minna en 5 mínútur eru skaðlaus.

Alls ekki má fara inn í rými þar sem Wood's Airmaster WOZ3000/6000 er í gangi.

### Meðferð með Wood's Airmaster

#### 1. Undirbúningur:

Þrífðu herbergið vandlega, ryksugaðu það og þurrkaðu af öllum fötum og / eða lagfærðu / fjarlægðu vandamálið sem veldur ólyktinni.

#### 2. Gættu þess að öruggt sé að ósonhreinsa svæðið:

Fjarlægðu gæludýr og plöntur. Fjarlægðu verðmætan hátækniúnað, svo sem fartölvur, og verðmæt olíumálverk. Gættu þess að enginn sé í herberginu.

#### 3. Ósonmeðferð:

Settu ósontækið upp í miðju herbergisins (helst á nokkuð hækkað yfirborð, t.d. borðplötu). Settu meðfylgjandi rafmagnssnúru í samband við rafmagn (a4). Nú er hægt að ræsa ósontækið með Á/Af hnappinum (A3) og stilla tímastilli (C) á þá tímalengd sem óskað er eftir (gerðir með tímastilli). Það getur tekið allt að um 5 mínútur áður en fullur kraftur næst.

#### 4. Tímalengd meðferðar:

2 - 72 klst., allt eftir styrkleika lyktar. Meðalmeðferðartími er 24 klst. Best er að byrja með 4 - 8 klst. og endurtaka svo eftir þörfum.

#### 5. Eftir ósonmeðferðina:

Slökktu á ósontækinu og opnaðu glugga. Að meðferð lokinni verða eftir leifar af ósoni í loftinu en það lyktar líkt og klór. Loftaðu út því sem eftir er af ósoninu.

Kannaðu herbergið vel. Sé enn ólykt þarf að endurtaka ferlið. Meðhöndla þarf hvert og eitt herbergi sérstaklega.

### Uppsetning með festingu

Hægt er að festa ósontækið á vegg með „skráargatslausn“ (F4) undir tækinu.

Settu meðfylgjandi rafmagnssnúru í samband við rafmagn (a4). Nú er hægt að ræsa ósontækið með Á/Af-hnappinum (A3).

### Tenging ósonmælis (E1)

Ósonmælirinn (E1) er aukabúnaður sem tengdur er við USB-gáttina (B1) aftan á tækinu.

## NOTKUN OG VIÐHALD ÓSONTÆKISINS

### Notkun

Settu ósontækið á þurran stað með góðri loftræstingu, helst hátt uppi um 1,5 m yfir gólfi. Mikilvægt er að ekkert hindri flæði lofts að viftunni.

Tengdu meðfylgjandi rafmagnssnúru við innstungu (A4).

Nú er má ræsa ósontækið með Á/ Af-hnappinum (A3). Ósontækið byrjar af fullri orku (100%).

Það getur tekið allt að um 5 mínútur áður en fullur kraftur næst.

### Að ræsa vélina

1. Að ræsa ósontækið.  
Þrýstu á aftakkann (A3) á ON/Á
2. Að slökkva á ósontækinu  
Þrýstu á aftakkann (A3) á AF

### Stafræn stýring með tímastilli

(Á við um Wood's Airmaster WOZ3000/6000)  
Hægt er að stilla ósonmagnið/afköstin á bilinu 0-100%.  
Tímastillingar: Tímastillir fyrir gang allan sólarhringinn, tímabil og stöðvun.  
Sjá nánari leiðbeiningar „Stafræn stýring“ á næstu síðu.

### Viðhald

#### ATH!

Ávallt skal aftengja rafmagnssnúruna áður en þjónusta/viðhaldi er sinnt.

#### Að skipta um forsíu

Skipt skal um forsíu á tveggja til fjögurra mánaða fresti eftir því hvernig umhverfið er.

1. Losaðu síuhaldarann (A2) með höndunum.

2. Settu nýja síu í.
3. Settu síuhaldarann í aftur (A2).

#### Þrif/skipti á keramikplötu

Þegar háspennu er hleypt á keramikplötuna myndast óson. Keramikplötuna skal hreinsa reglulega með rauðspritti eða svipuðum efnum. Þurrkið alla fleti með þurrum klút. Gangið úr skugga um að allir íhlutir séu alveg þurrir áður en tækið er endurræst. Ef ósonstyrkurinn minnkar eða hverfur alveg þarf að skipta um keramikplötu.

#### A. Ef ósontækið er búið sýnilegum grindarskrúfum á langhliðunum:

1. Losaðu skrúfurnar átta á langhliðum grindarinnar.
2. Lyftu upp hlíf tækisins.
3. Farðu í lið C.

#### B. Ef ósontækið hefur engar sýnilegar grindarskrúfur:

1. Losaðu skrúfurnar tvær sem halda handfanginu.
2. Snúðu tækinu á hvolf.
3. Losaðu skrúfurnar fjórar sem halda fótum tækisins.
4. Fjarlægðu grindarhlífina með því að toga/þrýsta henni fram.
5. Farðu í lið C.

#### C. Skipta um keramikplötu:

1. Losaðu hraðtengið (F5).  
2a. WOZ100  
Losaður skrúfurnar tvær sem halda keramikplötunni (F3).  
2b. WOZ3000/6000  
Takið keramikplötuna (F3) úr haldaranum.
3. Setjið saman í öfugri röð.

#### ATHUGAÐU!

Keramikplatan og forsían eru slithlutir og falla ekki undir ábyrgðina. Öll önnur þjónusta en sú sem hér er lýst skal fara fram hjá framleiðandanum eða viðurkenndum þjónustuaðila.

### Þjónusta

Ef viðhalda þarf ósontækinu skal hafa samband við söluaðilann. Kvittun þarf að sýna í tengslum við allar ábyrgðarkröfur.

### Leiðbeiningar um geymslu

Geymdu ósontækið við stofuhita á bilinu +1°C til +35°C.

*Mikilvægt er að skipt sé um forsíu með reglulegu millibili og að skipt sé um keramikplötu reglulega. Annars getur afkasta-geta ósontækisins minnkað og það hugsanlega skemmst.*

# NOTKUN ÓSONTÆKISINS

## Stafræn stýring

Á við um Wood's Airmaster WOZ3000/6000

|                              |   |
|------------------------------|---|
| <b>Pwr 100%<br/>TimerOff</b> | <b>Venjuleg gangstilling</b><br>Notaðu hnappana <b>áfram</b> (C2) og <b>aftur á bak</b> (C4) til að stilla ósonframleiðsluna á það gildi sem óskað er eftir 1-100%. Slökkt er á tímastilli.   |
| <b>Menu</b>                  | <b>Valmynd</b><br>Þrýstu á <b>Set</b> (C3) til að fara inn í valmynd. Flettu síðan með hnappinum <b>áfram</b> (C2) þar til þú finnur aðgerðina sem þú vilt breyta. <i>(Þú getur alltaf farið úr valmyndinni með því að halda niðri hnappinum Set.)</i>  |
| <b>Timer<br/>Settings</b>    | <b>Tímamælir</b><br>Þrýstu á <b>Set</b> (C3), valin tímastilling birtist. Ýttu einu sinni enn á <b>Set</b> (C3), textinn fer að blikka. Skrunaðu <b>áfram</b> (C2) þar til þú finnur réttu tímastillinguna. Þrýstu á <b>set</b> (C3) til að velja aðgerð.   |
| <b>Mode<br/>Off</b>          | <b>Tímastilling óvirk</b> (verksmiðjustilling)  |
| <b>Mode<br/>Once</b>         | <b>Lokunartímastilling</b><br>Wood's Airmaster vinnur í tilgreindan tíma og slekkur síðan á sér.<br>Þrýstu á <b>áfram</b> (C2), skjár sýnir „Set Timer“. Þrýstu á <b>Set</b> (C3), textinn blikkar, stilltu tilgreindan tíma með <b>áfram</b> (C2) / <b>aftur á bak</b> (C4) (t.d. 15 mín 00:15). Þrýstu á <b>Set</b> (C3) til að staðfesta tímann (hættir að blikka). Haltu hnappinum <b>Set</b> (C3) inni til að ræsa tækið með tímastillingu og farðu út úr valmyndinni.<br>Eftir að tímanum lýkur birtist „TimedOut“ Haltu hnöppunum <b>áfram</b> (C2) og <b>aftur á bak</b> (C4) inni samtímis og tímamælir fer í gang á ný. |

Stilltu tímann í eftirfarandi tímastillingum eins og lýst er í **Lokunartímastillir**.

|                          |  |
|--------------------------|--|
| <b>Mode<br/>Interval</b> | <b>Tímastilling fyrir tímabil af og á</b><br>Wood's Airmaster getur verið í gangi í ákveðin tímabil en haft slökkt á milli.<br><br>Veldu fyrst gangtíma „Step On“. Þrýstu á <b>áfram</b> (C4). Stilltu tímann sem slökkt er á tækninu „Step off“.  |
| <b>Mode<br/>Daytimer</b> | <b>Sólarhringstímamælir</b><br>Wood's Airmaster gengur á tilgreindum tímum. <b>ATHUGAÐU! Stilltu klukkuna fyrst! (sjá klukku)</b><br>Stilltu á ræsítíma 1 „Step on 1“. Þrýstu á <b>áfram</b> (C2), stilltu á lokunartíma 1 „Step off 1“.<br>Stilltu á ræsítíma 2 „Step on 2“. Þrýstu á <b>áfram</b> (C2), stilltu á lokunartíma 2 „Step off 2“.<br>Stilltu á ræsítíma 3 „Step on 3“. Þrýstu á <b>áfram</b> (C2), stilltu á lokunartíma 3 „Step off 3“.<br><br>Ef eitthvert þrepíð (t.d. 3) er skilið eftir tómt þ.e. 00:00 er það þrep óvirkt. |

|                              |   |
|------------------------------|---|
| <b>SetClock<br/>00:00</b>    | <b>Klukka</b><br>Hér stillirðu klukkuna sem notuð er af sólarhringstímastillingunum.<br>Þrýstu á <b>Set</b> (C3), tölurnar blikka. Stilltu á umbeðinn tíma með <b>áfram</b> (C2) og <b>aftur á bak</b> (C4). Þrýstu á <b>Set</b> til að staðfesta. (24 tíma öryggisafritun ef rafmagnnið fer)   |
| <b>B.light<br/>On</b>        | <b>Bakgrunnslýsing</b><br>Hægt er að kveikja og slökkva á bakgrunnslýsingu skjásins.  |
| <b>ExtInput<br/>settings</b> | <b>Gátt fyrir utanálggjandi tæki (USB)</b><br>Inntak ytri tækja (t.d. ósonmælis), hægt er að slökkva eða kveikja á því.<br>Velja má gangstillingu: <b>Ósonstýring</b> - Tengt ósontæki getur stjórnað ósonmynduninni til að fá stöðuga ósonþéttni. <b>Ósonviðvörðun</b> - Ef tengdur ósonmælir skynjar leka, slekkur tækið á sér og gefur hljóðmerki. |
| <b>Factory<br/>reset</b>     | <b>Verksmiðjustilling</b><br>Endurstíllt á verksmiðjustillingar. <b>ATH! Öllum stillingum verður eytt.</b>  |

|                        |  |
|------------------------|--|
| <b>KEYS<br/>LOCKED</b> | <b>Hnappalás</b><br>Hnöppunum er læst með því að halda inni <b>Set</b> (C3) og <b>áfram</b> (C2) samtímis þar til „KEYS LOCKED“ birtist á skjá. Aflæst er á sama hátt. |
|------------------------|--|

## Bilanaleit

| VANDAMÁL  | ÁSTÆÐA                                 | ÚRRÆÐI  |
|---|--|---|
| Tækið fer ekki í gang og ekki er ljós á straumrófa. | Bilun í afgangi.                       | Tengdu tækið við rafúttak sem virkar og kveiktu á því.                      |
|   | Öryggi er bilað (WOZ3000/6000).        | Skiptu um öryggi.   |
|   | Spennubreytirinn bilaður (WOZ100).     | Prófaðu annan spennubreyti (gakktu úr skugga um að hann sé af réttri gerð). |
| Tækið gengur en með litlum afköstum.                | Keramíkkplatan er óhrein.              | Þrífðu keramíkkplötuna.   |
| Tækið gengur en framleiðir ekkert óson.             | Keramíkkplatan er útslitin eða skemmd. | Skiptu um keramíkkplötu.  |
| Hávær vifta.  | Forsía óhrein/stifluð.                 | Skiptu um síu.  |
| Tækið hegðar sér undarlega.                         | Hugbúnaðurinn hefur frosið.            | Endurstilltu á verksmiðjustillingu.   |
| Tækið er ranglega stillt (t.d. tímastillir).        | Stillingum tækisins var óvart breytt.  |   |

Hafðu samband við söluaðila á staðnum þegar þú hefur farið í gegnum ofangreinda bilanaleit eða ef þjónusta þarf tækið.

## Ábyrgðir

2 ára verksmiðjuábyrgð á framleiðslugöllum. Vinsamlegast athugaðu að ábyrgðin gildir því aðeins að lögð sé fram kvittun. Ábyrgðin gildir því aðeins að tækið sé notað í samræmi við leiðbeiningar og öryggisviðvaranir í handbók þessari. Ábyrgðin nær ekki til tjóns af völdum rangrar meðferðar vörunnar.



### ATHUGAÐU!

Skráðu tækið á [www.warranty-woods.com](http://www.warranty-woods.com) og nýttu þér þau tilboð sem Wood's býður einmitt fyrir þitt tæki. Farðu inn á [www.woods.se](http://www.woods.se) til að fá frekari upplýsingar.

## ÞJÓNUSTA VIÐ VIÐSKIPTAVINI

Notaðu alltaf upprunalega íhluti. Þegar þú hefur samband við þjónustuver okkar skaltu hafa eftirfarandi við höndina: Gerðarnúmer, kvittun og raðnúmer.

Vinsamlegast athugaðu að allar öryggisreglur og tæknilegar upplýsingar í handbókinni geta breyst.



| TÆKNILEGAR UPPLÝSINGAR | Airmaster WOZ100                               | Airmaster WOZ3000         | Airmaster WOZ6000         |
|------------------------|--|---------------------------|---------------------------|
| Ósonframeiðsla         | 100 mg/klst.                                   | 0-3000 mg/klst.           | 0-6000 mg/klst.           |
| Afkastageta viftu      | 40 m <sup>3</sup> /klst.                       | 116 m <sup>3</sup> /klst. | 116 m <sup>3</sup> /klst. |
| Tækni                  | Keramikplata                                   | Keramikplata              | Keramikplata              |
| Tímastillir            | -  | Já                        | Já                        |
| USB-gátt               | -  | Já                        | Já                        |
| Orkunotkun             | 8 W/12 V DC<br>(100-240V spennubreytir fylgir) | 34 W/100-230 V            | 38 W/100-230 V            |
| Hitasvið               | +1°C - +35°C                                   | +1°C - +35°C              | +1°C - +35°C              |
| Mál (LxBxH)            | 196x113x85 mm                                  | 270x180x160 mm            | 270x180x160 mm            |
| Kennistærðir öryggja   | -  | 630mAT 250v               | 630mAT 250v               |
| Þyngd                  | 0,79 kg  | 2,2 kg                    | 2,3 kg                    |
| Útfærsla               | Ryðfrítt stál                                  | Ryðfrítt stál             | Ryðfrítt stál             |
| Aukabúnaður            | Sígarettukveikjarasnúra                        | Ósonmælir                 | Ósonmælir                 |
| Slithlutir             | Forsía<br>Keramikplata                         | Forsía<br>Keramikplata    | Forsía<br>Keramikplata    |

\*Tæknilegar breytingar og úrbætur geta orðið á tækinu. Öll gildi eru áætluð og geta verið breytileg eftir ytri aðstæðum eins og hitastigi og rakastigi.



\*Þetta merki gefur til kynna að ekki megi farga tækinu með heimilissorpi innan ESB. Við biðjum þig um að endurvinna vöruna á ábyrgan hátt til að stuðla að sjálfbærri endurnýtingu efnisauðlinda til að hindra skemmdir á umhverfi eða heilsutjón manna vegna förgunar úrgangs án eftirlits. Notfærðu þér förgunarþjónustu sveitarfélagsins eða hafðu samband við söluaðila tækisins til að endurvinna tækið. Þeir geta sent tækið í umhverfisvæna endurvinnslu.

*Wood's is marketed and distributed by:*

*Woods TES Sweden AB.*

*Maskingatan 2-4*

*441 27, Alingsås*

*Sweden.*

*woods.se*

*info@woods.se*

*+46 317613610*

***Wood's***<sup>®</sup>