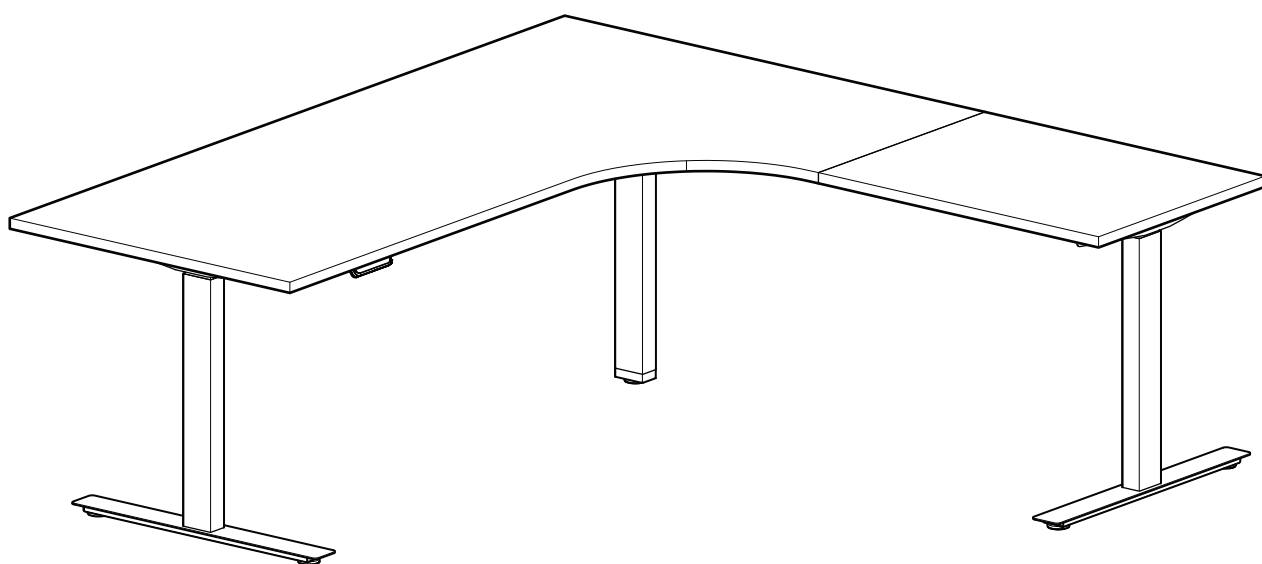


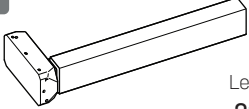
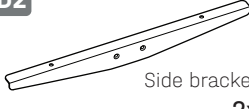
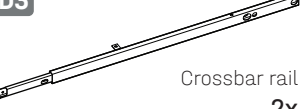
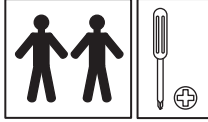
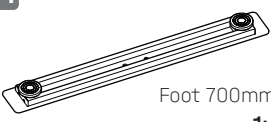
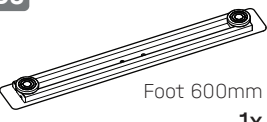
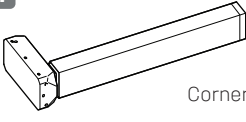
Electric height adjustable desk Assembly instructions

3-leg standing desk

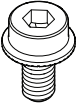
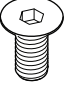


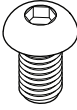


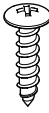

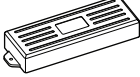
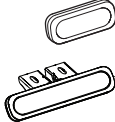
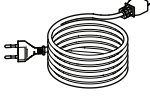
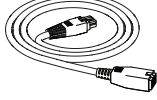
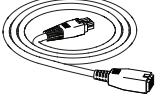
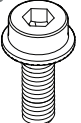
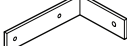
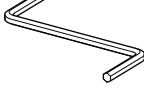


PACKAGE CONTENTS

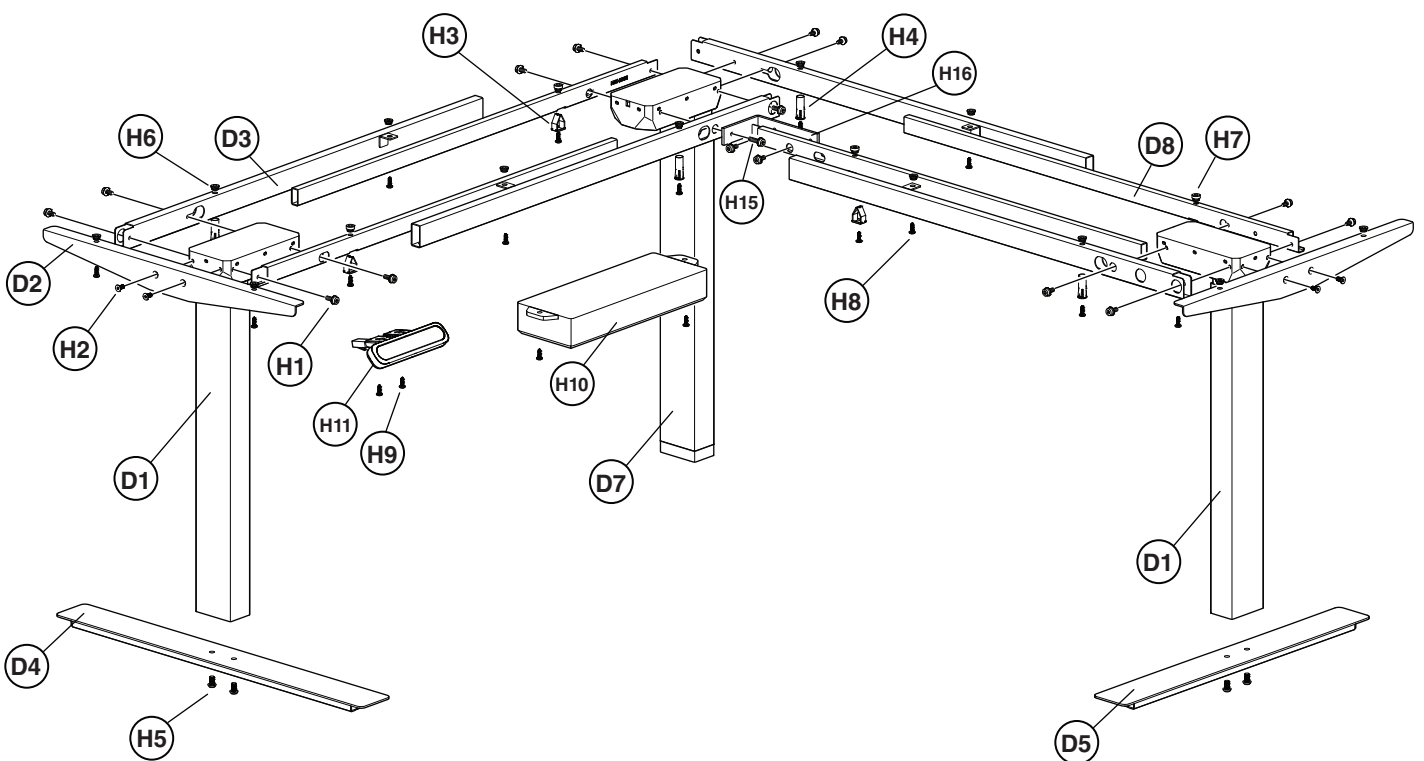
DESK COMPONENTS

D1  Leg 2x	D2  Side bracket 2x	D3  Crossbar rail 2x	
D4  Foot 700mm 1x	D5  Foot 600mm 1x	D7  Corner leg 1x	





HARDWARE

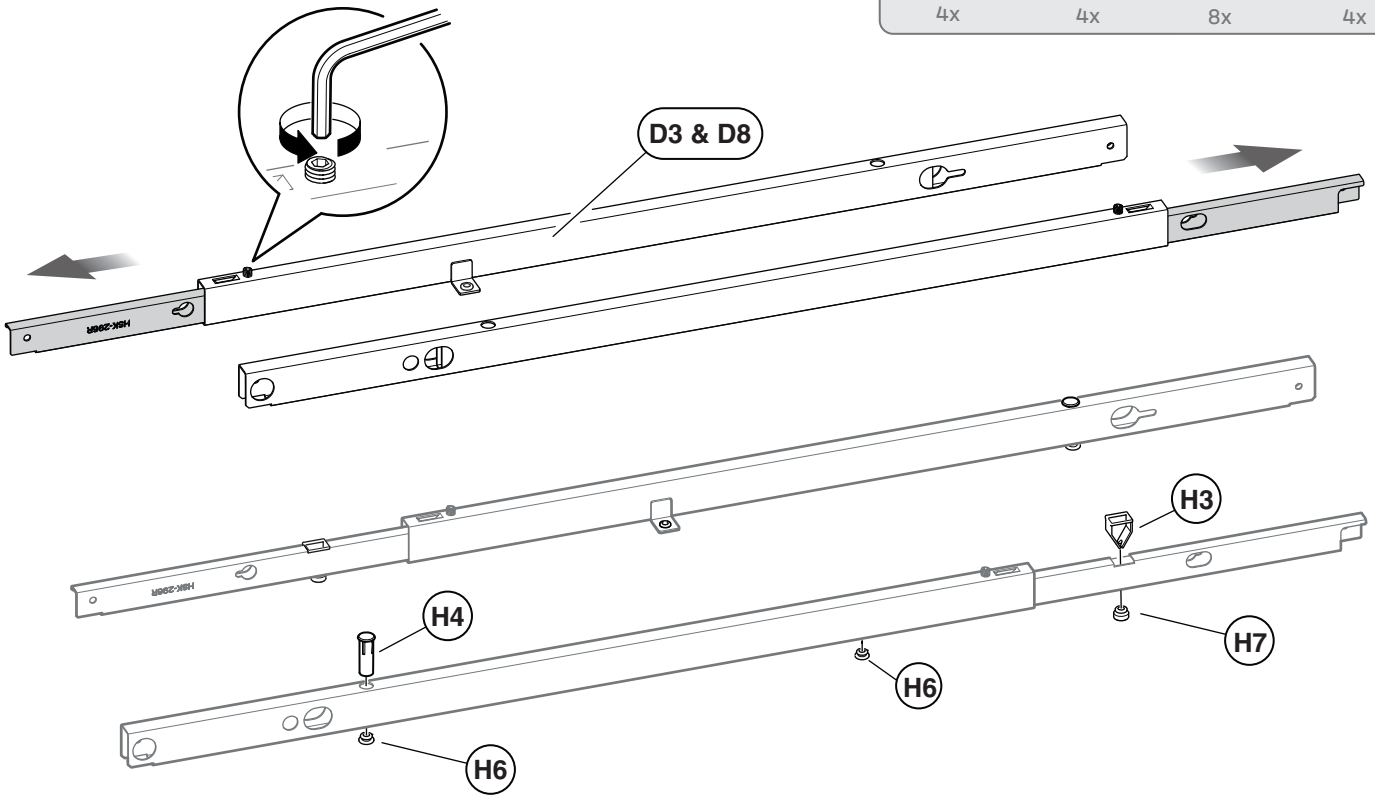
H1  M6x12 15x	H2  M6x10 4x	H3  Screw clamp 4x	H4  Screw guide bush 4x	H5  M8x14 4x	H6  2mm rubber 8x	H7  5mm rubber 4x
H8  Tapping screw 5x20 18x	H9  Tapping screw 5x16 2x	H10  Control box 1x	H11  Handset* 1x	H12  Power cable 1x	H13  Leg cable (short) 1x	H14  Leg cable (long) 1x
H15  M6x30 1x	H16  Corner bracket 1x	T1  Hex key 1x				

* The handset can look different depending on your purchased desk configuration.
 Note: There may be additional hardware included in the package, as these are used for different desk configurations.

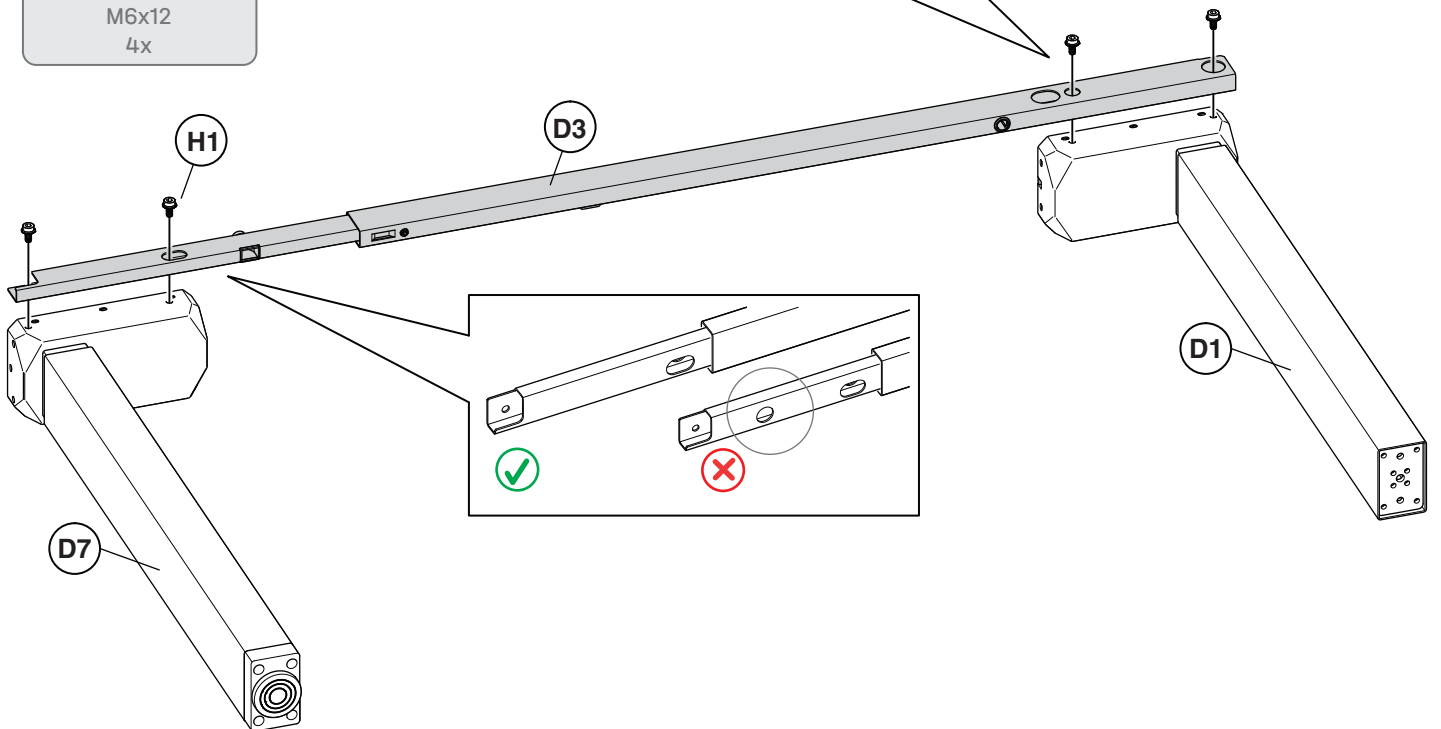
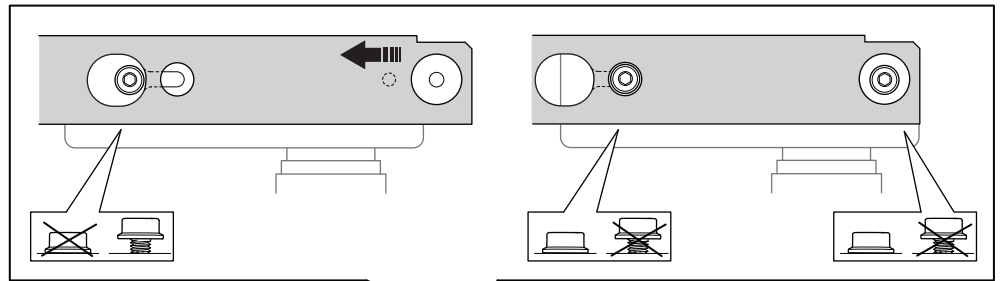
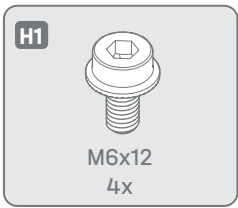


1

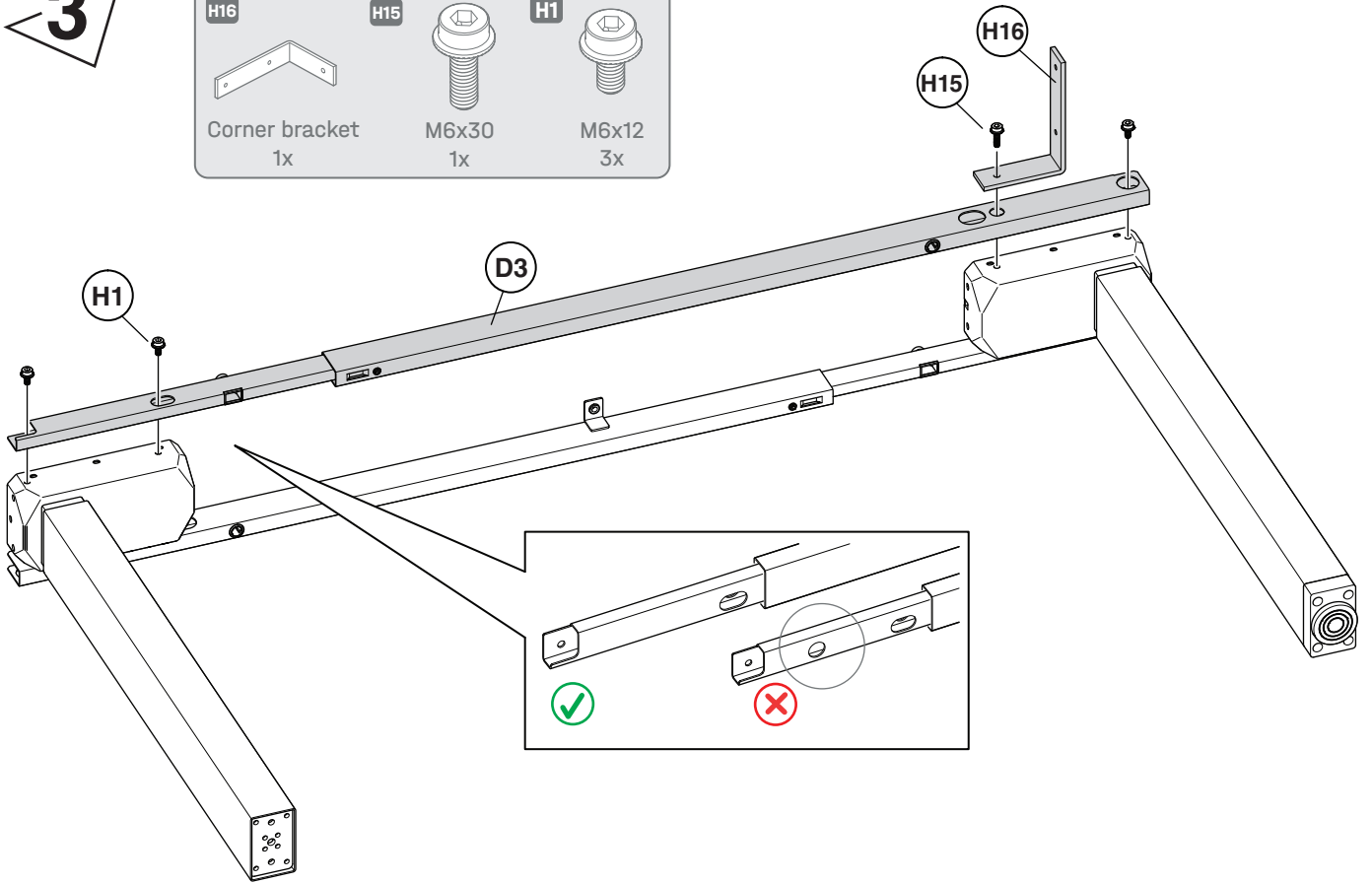
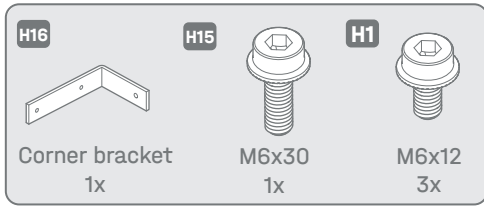
H3  Screw clamp 4x	H4  Screw guide bush 4x	H6  2mm rubber 8x	H7  5mm rubber 4x
--	--	--	--



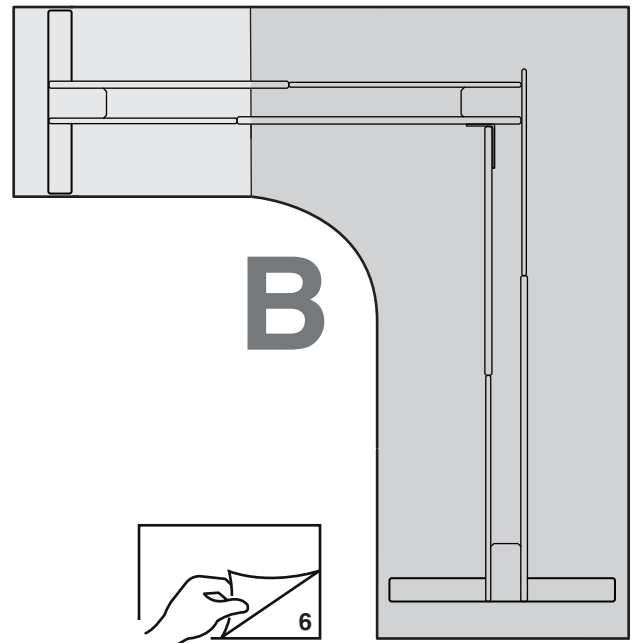
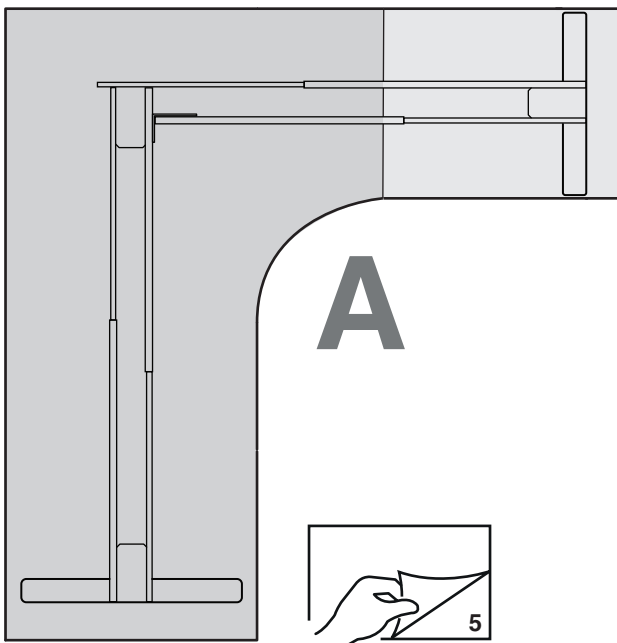
2



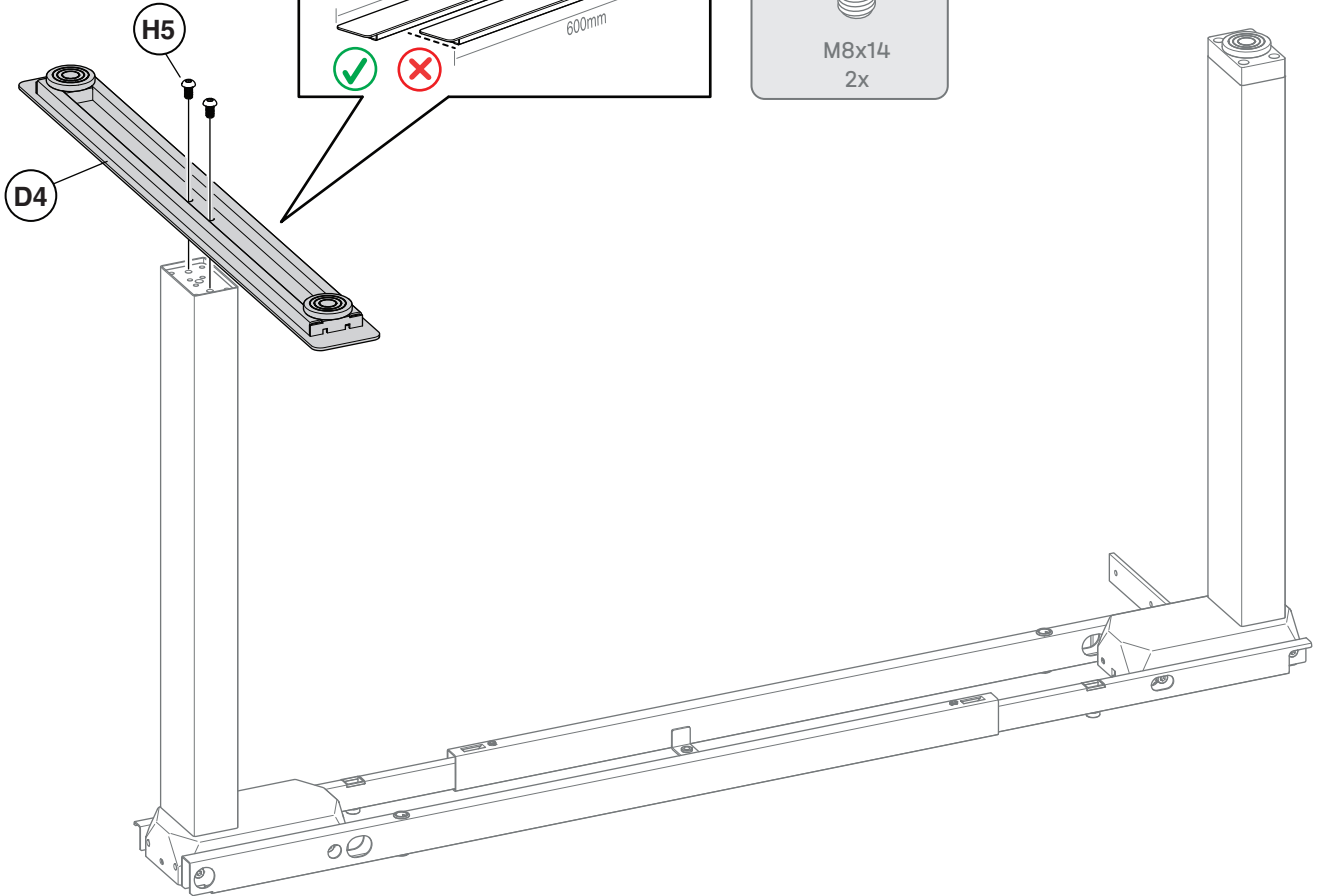
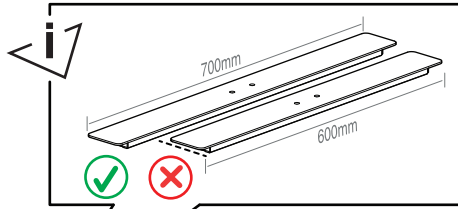
3



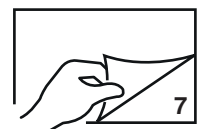
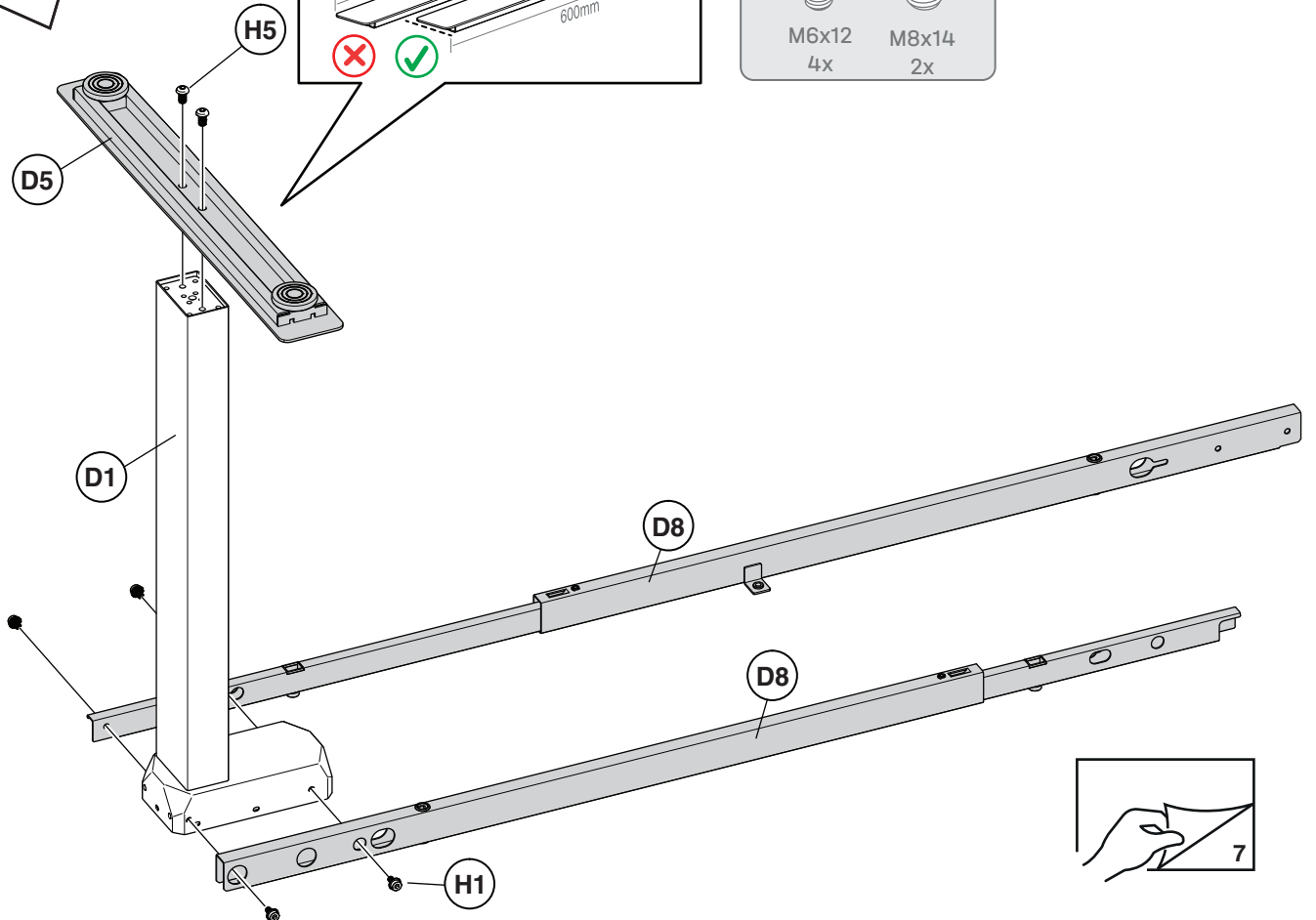
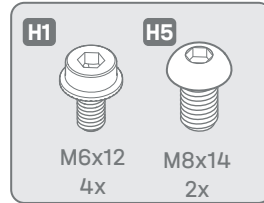
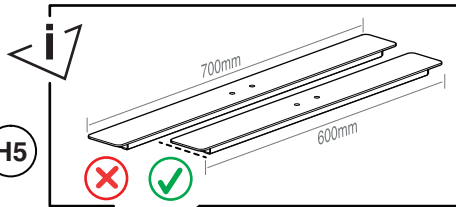
i



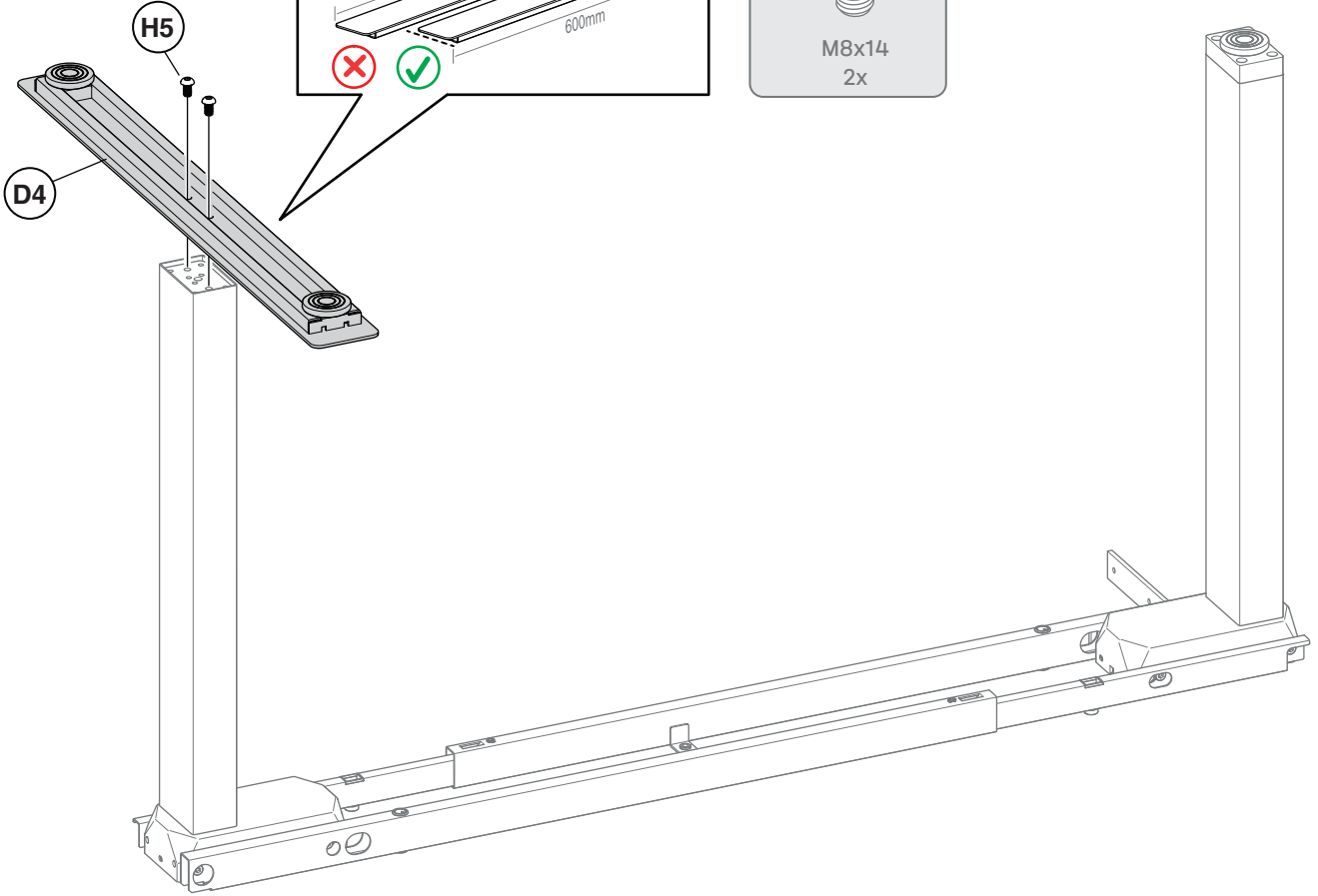
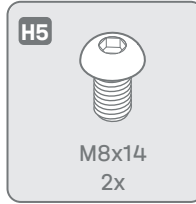
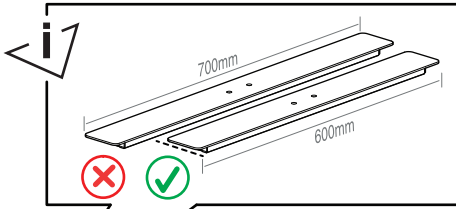
4A



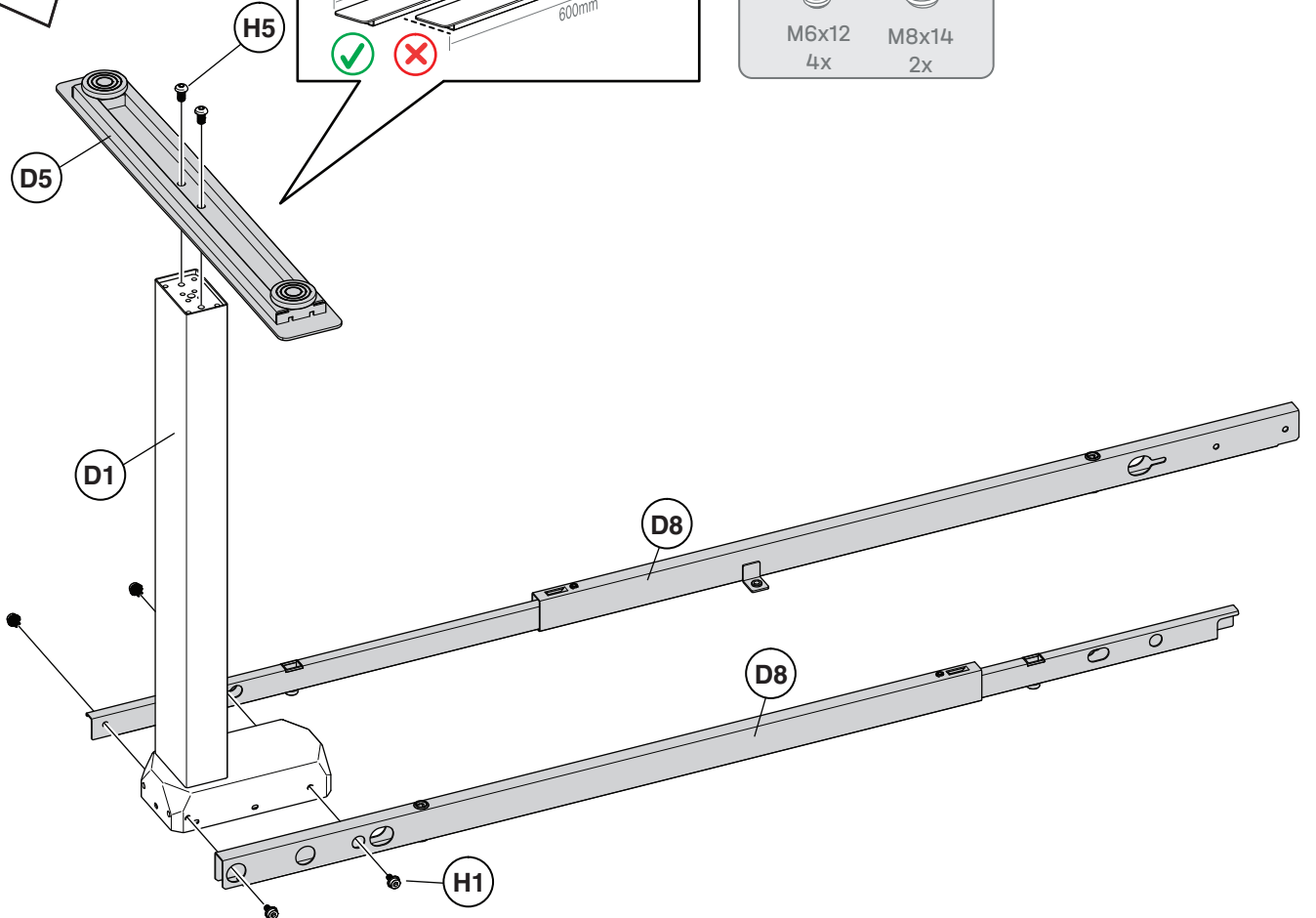
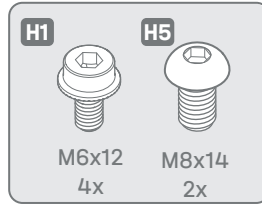
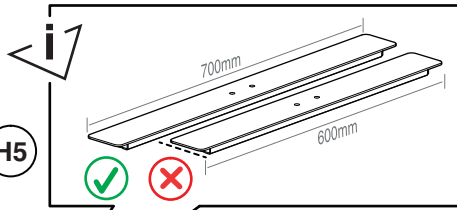
5A



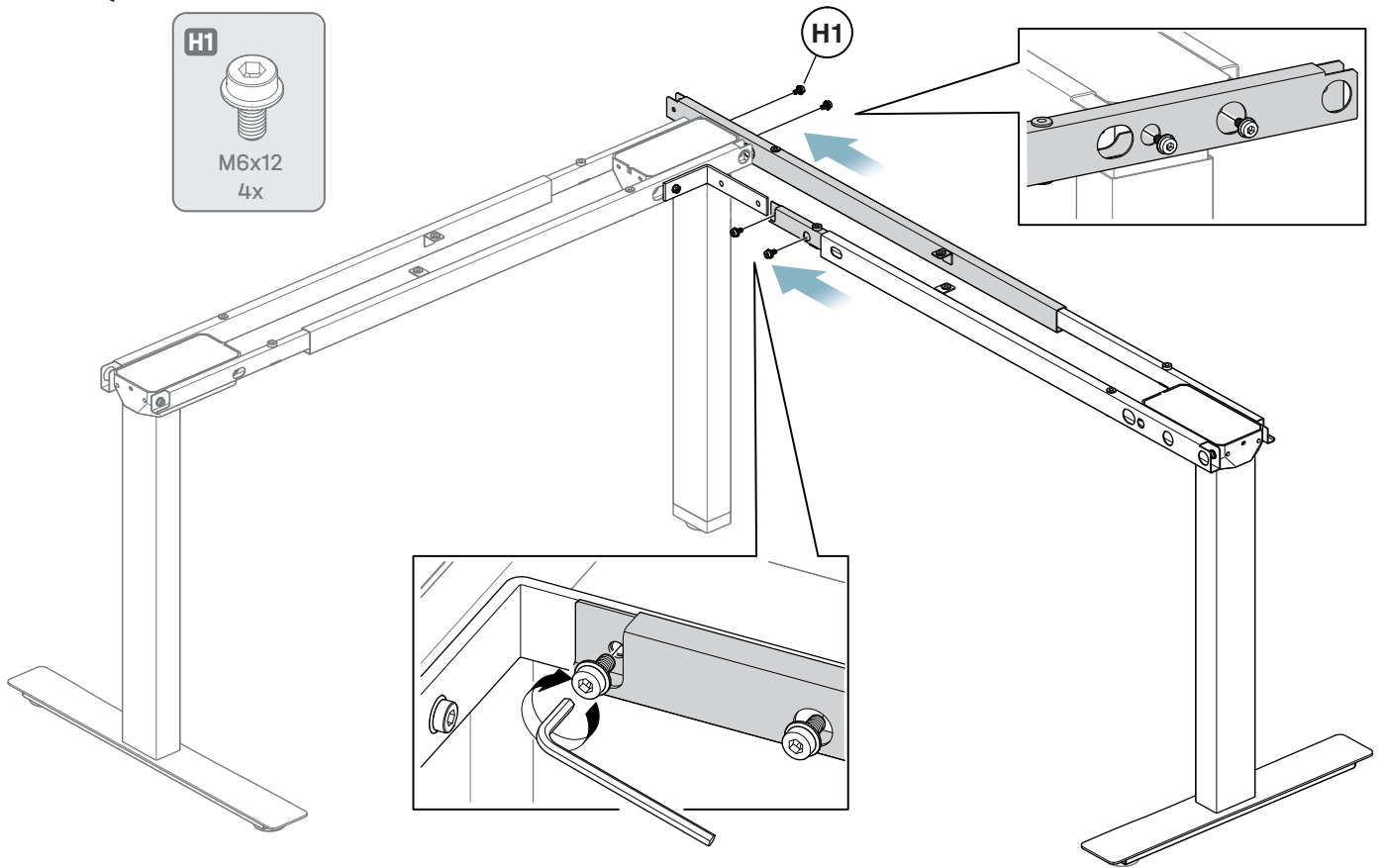
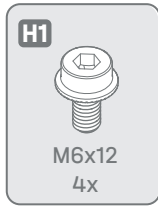
4B



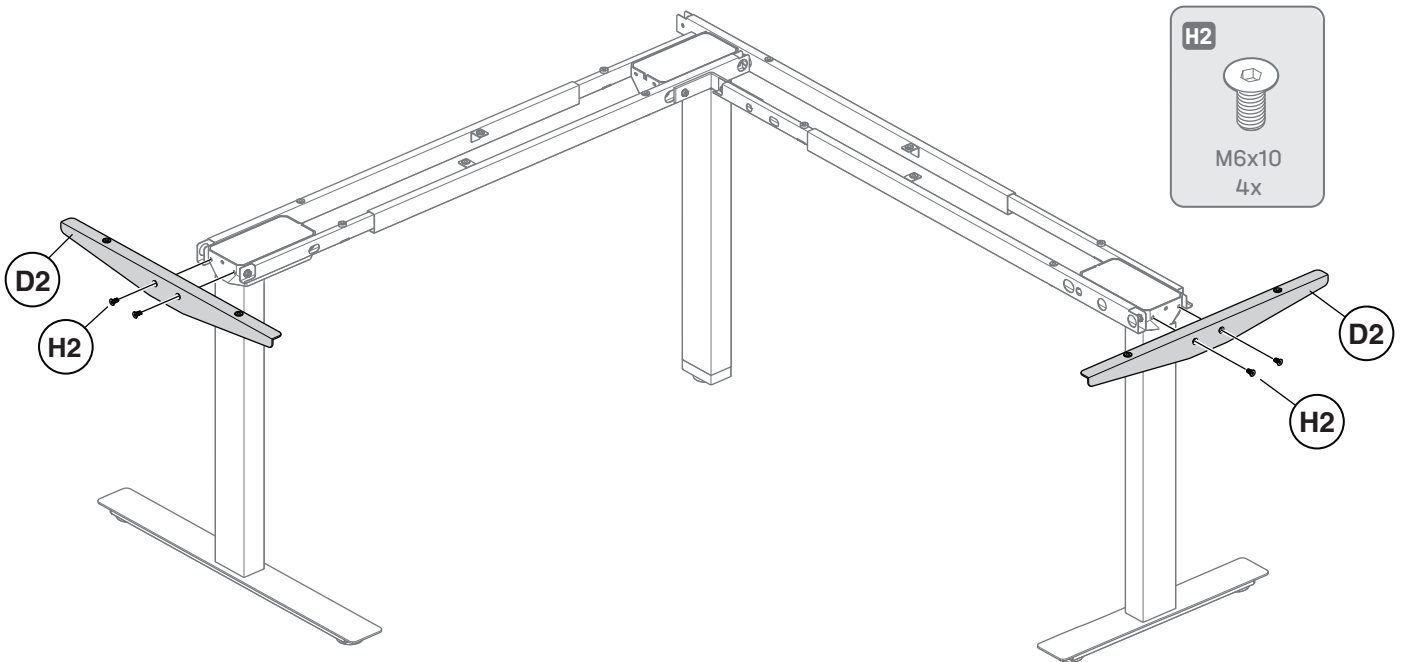
5B



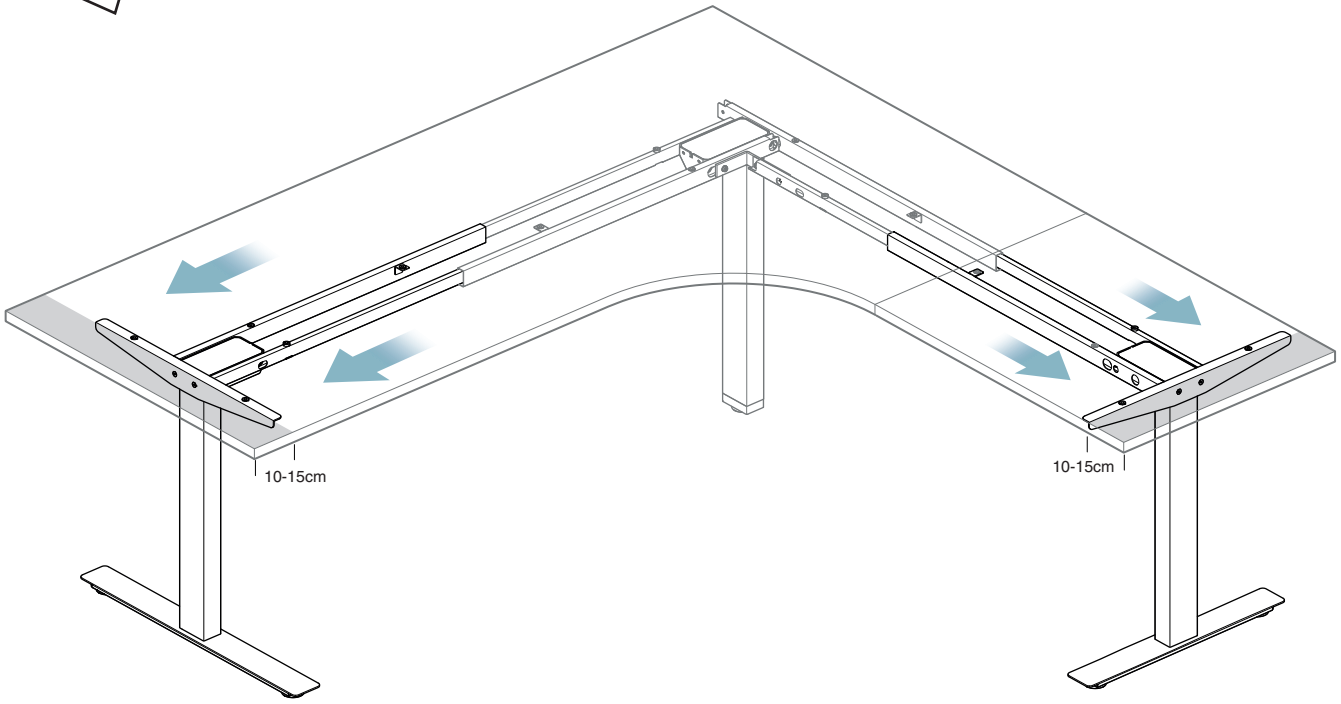
6



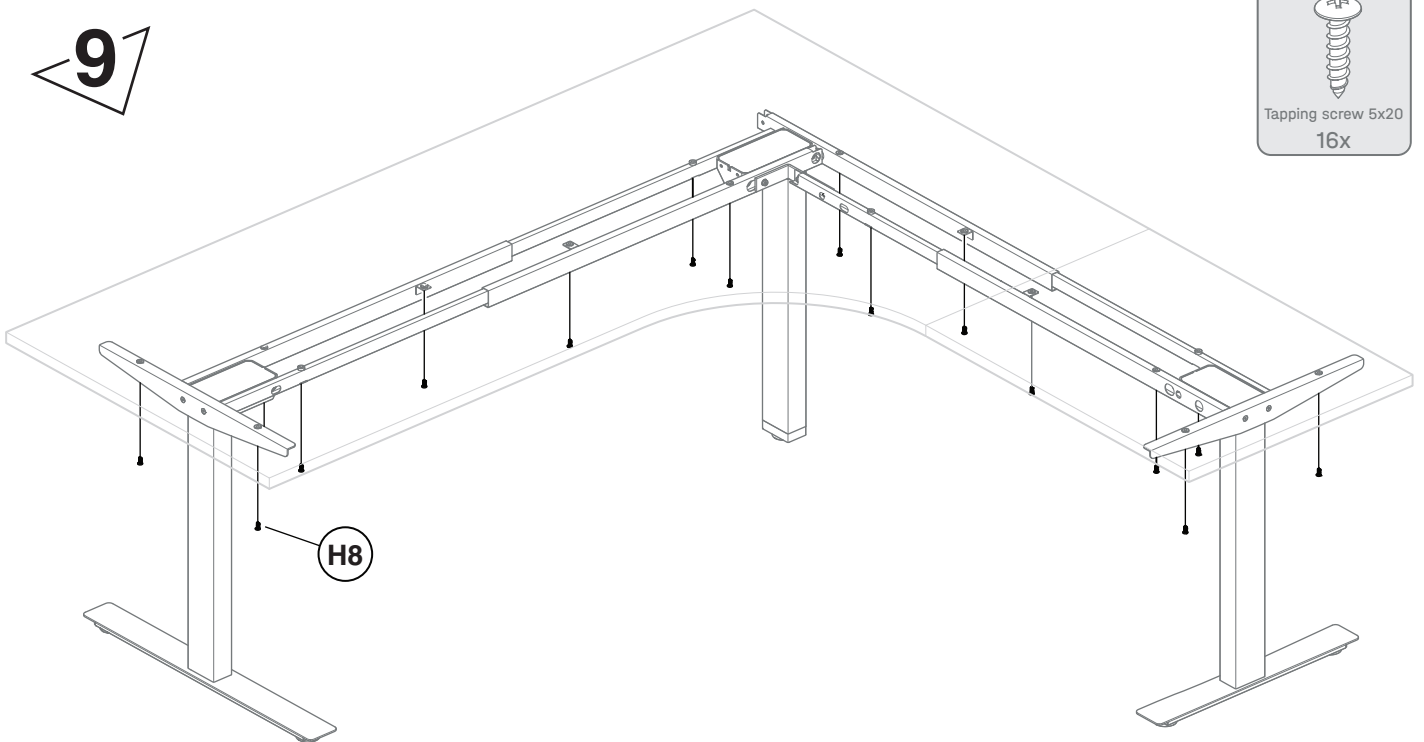
7



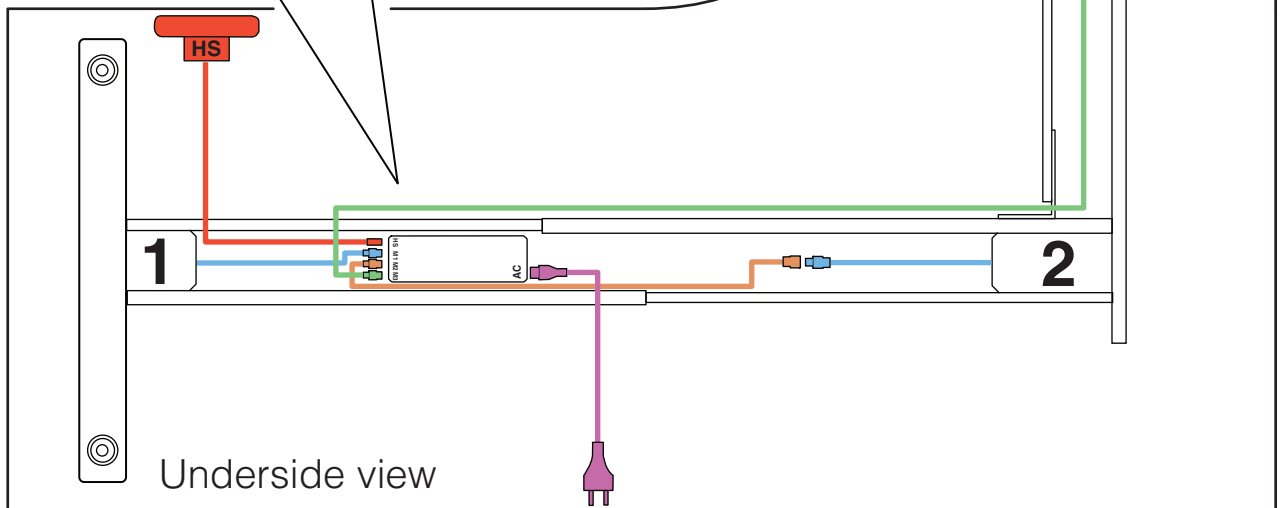
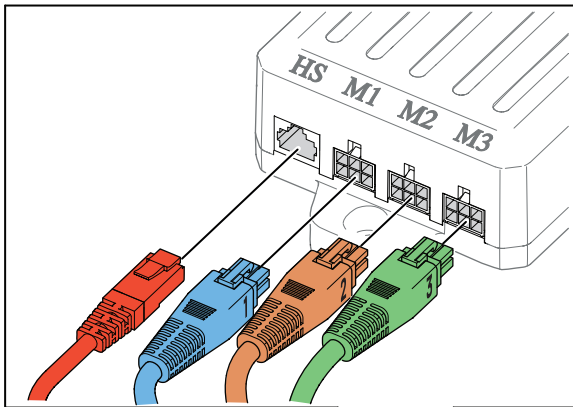
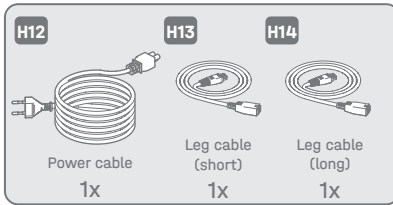
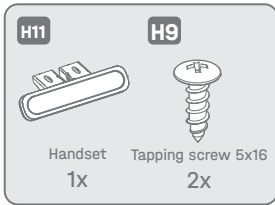
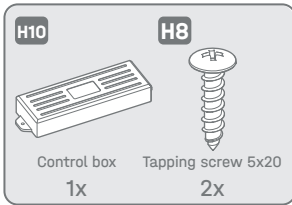
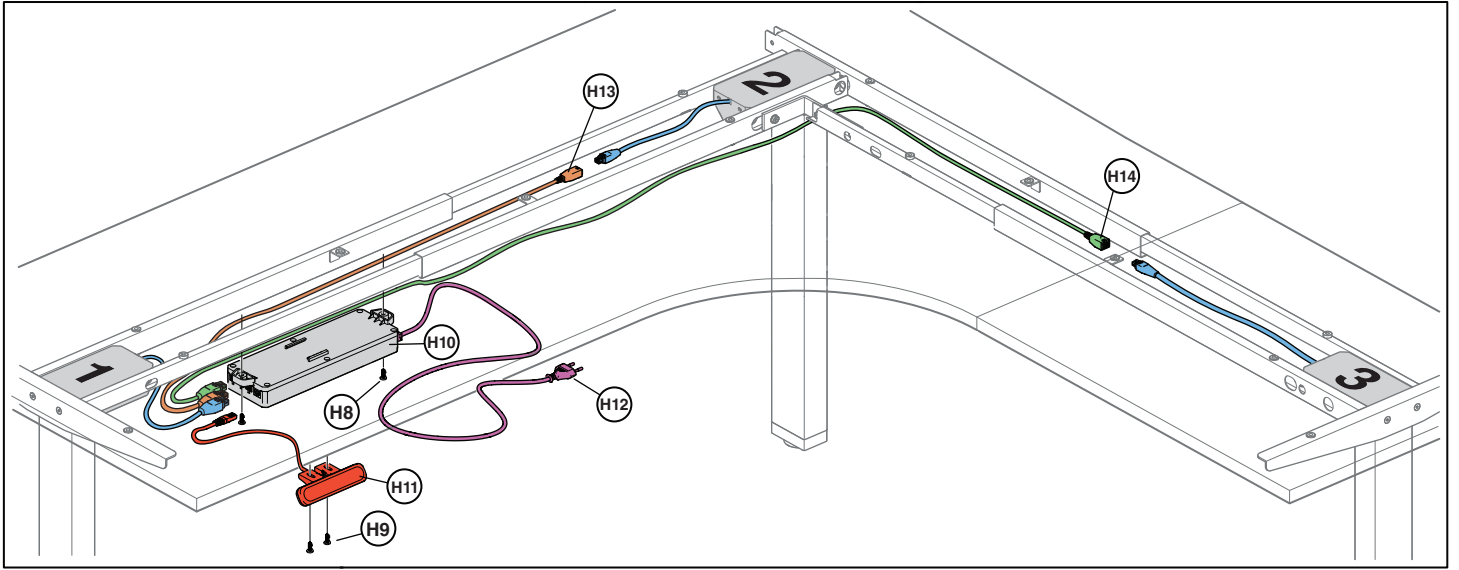
8



9



10



Step 1

The crossbar rails (**D3 & D8**) are compressed when delivered.

1. Loosen the set screws slightly and extend the inner rail.
 2. Attach rubber bushing (**H6**) and plastic screw guide bushing (**H4**) on the **thicker** part of the crossbar rail.
 3. Install rubber bushing (**H7**) and triangular screw clamp (**H3**) on the **thinner** side of the crossbar rail.
 4. Repeat step 1-4 for all crossbar rails (**D3 & D8**).
-

Step 2

1. Take the corner leg (**D7**) and one leg (**D1**) and lay them on a flat surface.
 2. Place a crossbar rail (**D3**) across the legs, ensuring the rubber bushings face upwards towards the table top.
 3. Attach the crossbar to the leg with four M6×12 screws (**H1**).
-

Step 3

1. Flip the assembly and place the second crossbar rail (**D3**), install with three M6×12 screws (**H1**). Use screw M6×30 to install the corner bracket in the remaining mounting hole.
-

Step 4

1. Install the the long feet by using two M8×14 screws (**H5**).
-

Step 5

1. Take the remaining leg (**D1**) and install the corner leg crossbar rails (**D8**), using four M6×12 screws (**H1**).
 2. Install the short feet by using two M8×14 screws.
-

Step 6

Turn the frame in upright position. In example **6a**, the extended table top will be situated on the right side. You can also put it on the left side, as in example **6b**. To do so, first unscrew the corner bracket (**H16**) and place it on the left side of the crossbar rail. You will need to remove one M6×12 screw (**H1**) you installed previously.

1. Use four M6×12 screws (**H1**) to fix the corner crossbar rail to the frame.
-

Step 7

1. Install the side brackets (**D2**), each with two M6×10 screws (**H2**).
-

Step 8

1. Adjust the width of the frame assembly by moving the legs closer together or farther apart.
2. Make sure there is a 5-10cm cm gap between the frame and the edge of the table top.
3. Tighten all the set screws on the crossbar rails.

Step 9

1. Fix the tabletop to the frame, using the included tapping screws 5×20mm (H8).
-

Step 10

1. Use two tapping screws 5×20 (H8) to fix the control box (H10). Place it between the two crossbars, near one of the legs so the leg cable have sufficient length to the control box.
2. Use two 5×16 screws (H9) to fix handset (H11).
3. Connect the handset (H11) into the control box (H10) in port labeled "HS".
4. Connect the leg cable which is nearest to the control box in port labeled "M1".
5. Connect the corner leg with the included extension leg cable (H13), and then into port labeled "M2" on the control box.
6. Connect the leg furthest away from the control box with the included extension leg cable (H14), and then into port labeled "M3" on the control box.
7. Plug the power cable (H12) into port labeled "AC" on the control box. Plug your desk into a electrical outlet.

Note! Before using your desk, a desk reset is required. See chapter 1 in your user manual for the handset.